



Skyline

Specification Sheet


Designed by Henry Gurney

ocee
DESIGN
AN OCEE INTERNATIONAL COMPANY

Skyline

Designed by Henry Gurney

 4 weeks
Subject to fabric availability

 5 year warranty

Ideal in small or large arrangements, Skyline is perfect for corporate breakout and reception areas as well as more robust educational environments.

With the addition of Skyline 120 concave and convex, you can be even more creative with your Skyline layouts.

'Buddy up' with our new Buddy Power Tables to create your perfect working environment.

Features

24 modular pieces for multiple configurations

Matching coffee table collection

Table tops available in a variety of finishes

Chrome, white or black powder coated legs with other colours available on request

Upholstery available in fabric and vinyl

Two-tone fabric options


Fully webbed seat

CMHR foam

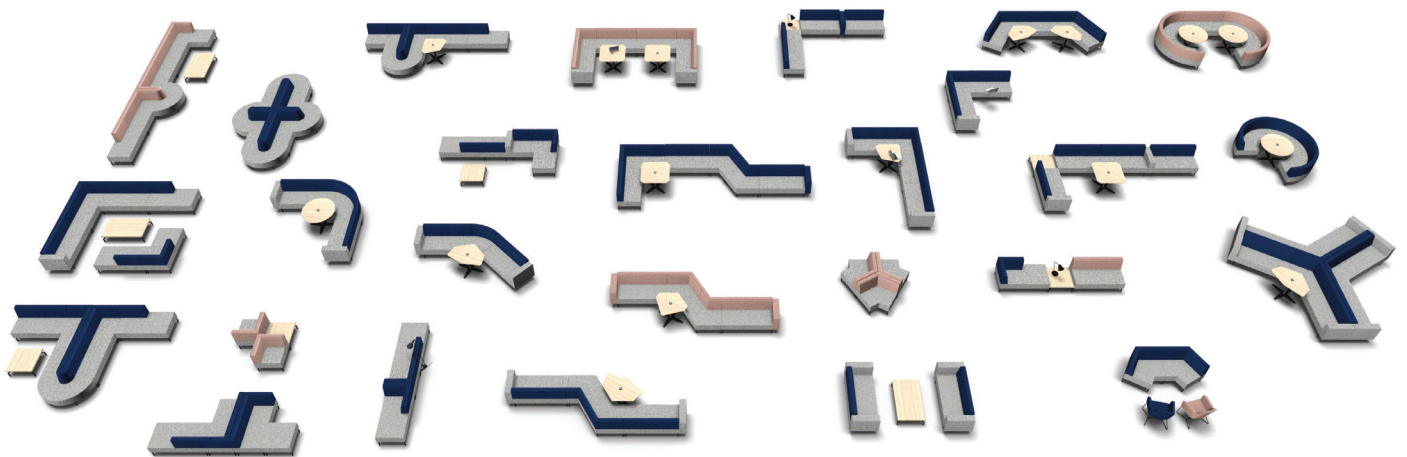
Power and data options available on request


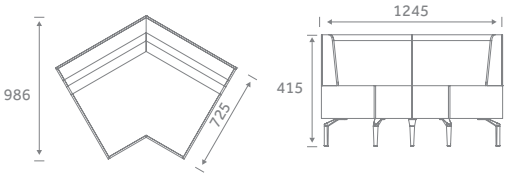

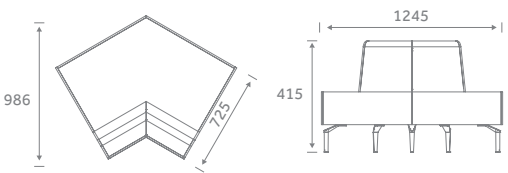
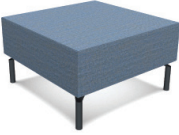
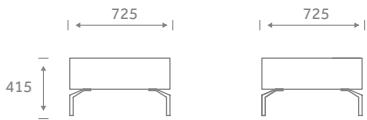

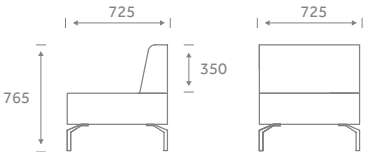

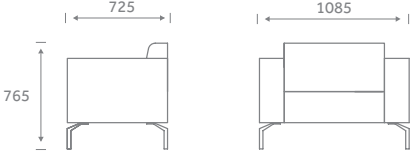

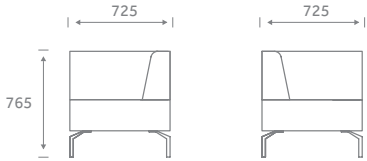

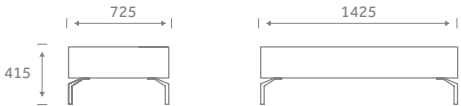

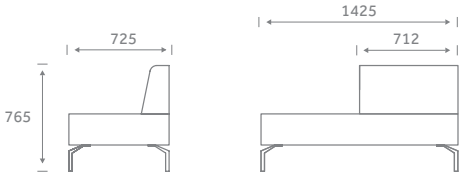
Specifications & Options

 30kg
SKY2/RB
other weights on application

 Minimum 95% recyclable

 Upholstery available in fabric and vinyl




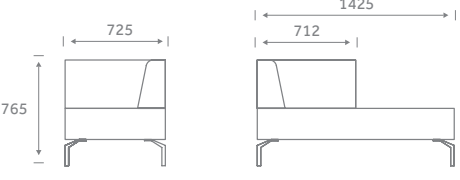

		Dimensions (mm)	Leg options
	SKY120/CONCAVE/B 120° concave unit with back (shown with black legs)		S Silver CR Chrome W White B Black
	SKY120/CONVEX/B 120° convex unit with back (shown with black legs)		S Silver CR Chrome W White B Black
	SKY1 Single seat (shown with black legs)		S Silver CR Chrome W White B Black
	SKY1/B Single seat unit with back (shown with black legs)		S Silver CR Chrome W White B Black
	SKY1/B/LA/RA Single seat unit with back, left and right arm (shown with black legs)		S Silver CR Chrome W White B Black
	SKY1/CO Single seat corner unit (shown with black legs)		S Silver CR Chrome W White B Black
	SKY2 Two seat unit (shown with black legs)		S Silver CR Chrome W White B Black
	SKY2/LB Two seat unit with left back (shown with black legs)		S Silver CR Chrome W White B Black

Skyline

Designed by Henry Gurney

 4 weeks
Subject to fabric availability


 5 year warranty



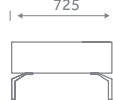

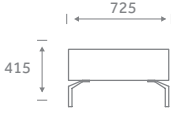
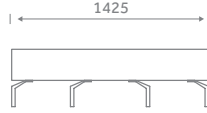


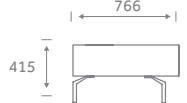

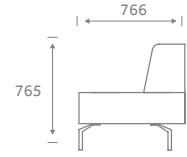
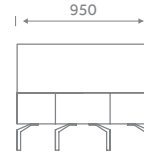

		Dimensions (mm)	Leg options
	SKY2/RB Two seat unit with right back (shown with black legs)		S Silver CR Chrome W White B Black
	SKY2/LB/RB Two seat unit with full back (shown with black legs)		S Silver CR Chrome W White B Black
	SKY2/LB/RB/LA/RA Two seat unit with full back, left and right arm (shown with black legs)		S Silver CR Chrome W White B Black
	SKY2/COR Two seat unit with right corner back (shown with black legs)		S Silver CR Chrome W White B Black
	SKY2/COL Two seat unit with left corner back (shown with black legs)		S Silver CR Chrome W White B Black
	SKY2/COR/LB Two seat unit with right corner and left back (shown with black legs)		S Silver CR Chrome W White B Black

Skyline

Designed by Henry Gurney

 4 weeks
Subject to fabric availability


 5 year warranty


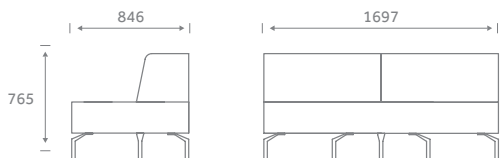




		Dimensions (mm)		Leg options
	SKY2/COL/RB Two seat unit with left corner and right back (shown with black legs)			S Silver CR Chrome W White B Black
	SKYQUARTER Quarter segment (shown with black legs)			S Silver CR Chrome W White B Black
	SKYHALF Half segment (shown with black legs)			S Silver CR Chrome W White B Black
	SKYHALF/B Half segment with back (shown with black legs)			S Silver CR Chrome W White B Black
	SKY45 45° Unit (shown with chrome legs)			S Silver CR Chrome W White B Black
	SKY45/B 45° unit with back (shown with black legs)			S Silver CR Chrome W White B Black
	SKY90 90° unit (shown with black legs)			S Silver CR Chrome W White B Black


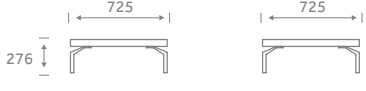


Skyline

Designed by Henry Gurney

 4 weeks
Subject to fabric availability

 5 year warranty

	Dimensions (mm)	Leg options
 <p>SKY90/B 90° unit with back (shown with black legs)</p>	 <p>846, 1697, 765</p>	<p>S Silver CR Chrome W White B Black</p>
 <p>/LA Left arm</p>	 <p>725, 465, 179</p>	
 <p>/RA Right arm</p>	 <p>725, 465, 179</p>	

	Dimensions (mm)	Wood Options	Leg Options
 <p>SKY1 TAB Single table unit (shown with black legs)</p>	 <p>725, 276</p>	<p>W White O Oak M Maple WA Walnut C Cherry</p>	<p>S Silver CR Chrome W White B Black</p>
 <p>SKY2 TAB Double table unit (shown with black legs)</p>	 <p>725, 1225, 276</p>	<p>W White O Oak M Maple WA Walnut C Cherry</p>	<p>S Silver CR Chrome W White B Black</p>

Environmental & Quality Overview



All products meet SKA rating criteria.



EMS537195

ISO14001 certified environmental management system.



Full accreditation under the Furniture Industry Sustainability Programme.



Ocee Design products can be supplied with Eco-tex accredited fabrics from Camira.



We actively refurbish and redistribute old products through community groups.



Products are manufactured using CMHR foam.



Ocee Design's manufacturing process and products are low VOC.



All adhesives are water based and biodegradable.



0% material from the Ocee Design manufacturing process is sent to landfill.



Nearly 70% of our components are sourced within 150 miles of our Northampton factory, with 27% within 50 miles.



All Ocee Design products are manufactured using timber sourced from countries whose governments follow statutory reforestation programmes.



FM36814

ISO9001 certified quality management system.



We are delighted to be a member and active supporter of the British Contract Furniture Association.



Ocee Design products are offered with a minimum 5 year warranty with 10 years on selected items.



All products are a minimum of 95% recyclable and designed for disassembly. Designed for disassembly is both for recycling and ease of refurbishment to extend the life of the product.

Fabric Bands

This is just a selection of the cover options available. We are able to source alternative fabrics and vinyls. Please contact sales@oceedesign.com for details.

Band 0

Camira Advantage
Camira Pheonix

Band 1

Camira Canopy
Camira Era
Camira Gravity
Camira Manhattan
Camira Rivet
Camira X2
Camira Xtreme
Yarwood Dollar

Band 2

Camira Château
Camira Aspect
Camira Figaro
Camira Main Line
Camira Patina
Camira Sprint
Camira Torro
Camira Urban
Camira Velocity
Camira Vita Vinyl
Chieftain Carino
Chieftain Lionella
Chieftain Just Colour
Chieftain Just Patterns
Chieftain Trimcell
C.T.P. (Spradling) Colina
C.T.P. (Spradling) Sierra
Gabriel Elevation
Gabriel Go Check
Gabriel Go Couture
Gabriel Go Uni
Gabriel Hush
Gabriel Repetto
Gabriel Stay
Panaz Alba
Panaz Cadet
Panaz Highland Plain
Panaz Myriad
Panaz Twilight
Panaz Ultimate Touch
Vescom Namal

Band 3

Camira 24/7
Camira 24/7 Flax
Camira Aquarius
Camira Aquarius+ Stain
Camira Blazer
Camira Halcyon Collection
Camira Hebden
Camira Hemp
Camira Hi Tech
Camira Honeycomb
Camira Intervene Plain
Camira Intervene Texture
Camira Landscape Balance
Camira Landscape Contact
Camira Landscape Synergy
Camira Mainline Flax
Camira Main Line Flax Stripe
Camira Marvel
Camira Nexus
Camira Oxygen
Camira Silk
Camira Synergy
Camira Track/Trail
Camira Chieftain
Chieftain Chieftain
Chieftain Chieftain Multistretch
C.T.P. (Spradling) Avantgarde
C.T.P. (Spradling) Valencia
Gabriel Capture
Gabriel Dragon
Gabriel Medley
Gabriel Rhythm
Gabriel Runner
Gabriel Soul
Gabriel Tempt
Gabriel Twist
Gabriel Twist Melange
Gabriel Step
Gabriel Step Melange
Gabriel Euro Post 2
Gabriel Gaja Classic
Gabriel Luna 2
Kvadrat Canvas
Kvadrat Field
Kvadrat Floyd
Kvadrat Remix
Kvadrat Umami
Panaz Allure
Panaz Aston

Panaz Brookland
Panaz Calroust
Panaz Enigma
Panaz Harvard
Panaz Linear
Panaz Microvelle
Panaz Parvelle Stretch
Panaz Sheema
Panaz Vespa
Vescom Samar

Band 4

Bute Clyde
Bute Ramshead
Camira Blazer Zippo
Camira Century
Camira Code
Camira Craggan
Camira Eton Stripe
Camira Mainline Flax Stripe
Camira Individuo
Camira Stripes
Gabriel Atlantic
Gabriel Breeze
Gabriel Crisp
Gabriel Fame Hybrid
Kvadrat Clara 2
Kvadrat Cava 3
Ocee Patternistas Patternistas Collection
Vescom Ambu
Vescom Balta
Vescom Hestan
Vescom Lindau
Vescom Yuma

Band 5

Bute Elgin
Bute Esk
Bute Heathered Tweed
Bute Lewis
Bute Troon
Bute Turnberry
Bute Tutti Frutti Tweed
Bute Tweed
Camira Craggan Flax
Gabriel Breze Fusion
Gabriel CrissCross
Gabriel Fame
Gabriel Note

Gabriel Obika Leather
Svensson Era
Svensson Front
Svensson Khaki
Svensson Rock
Svensson Step
Vescom Lani
Vescom Nauru
Vescom Ponza
Wildman & Bugby Madras

Band 6

Bute Melrose
Camira Channel
Camira Hourglass
Camira Nettle Collection
Camira Vintage
Camira Zig Zag
Gabriel Gaja Classic
Kvadrat Davina 3
Kvadrat Davina Melange
Kvadrat Fiord
Kvadrat Hero
Kvadrat Rime
Kvadrat Steelcut Trio
Panaz Purdey
Svensson Accessorie
Svensson Balance
Svensson Dia
Svensson Happy
Svensson Hill
Svensson Key
Svensson Rami
Svensson Vy
Svensson Yra
Wildman & Bugby Leather
Yarwood Leather

Band 7

Camira Vintage
Gabriel Comfort+
Gabriel Mood
Kvadrat Compound
Kvadrat Steelcut 2
Kvadrat Tonica
Kvadrat Hallingdal 65
Svensson Moss
Svensson Raw

Fabric Manufacturers

Bute

www.butefabrics.com

Camira

www.camirafabrics.com

Chieftain/Just Colour

www.chieftainfabrics.com

Gabriel

www.gabriel.dk

Kvadrat

www.kvadrat.dk

Panaz

www.panaz.com

Svensson

www.ludvigsvensson.com

Vescom

www.vescom.com

Wildman & Bugby

www.wildmanbugby.co.uk

Yarwood

www.yarwoodleather.com

