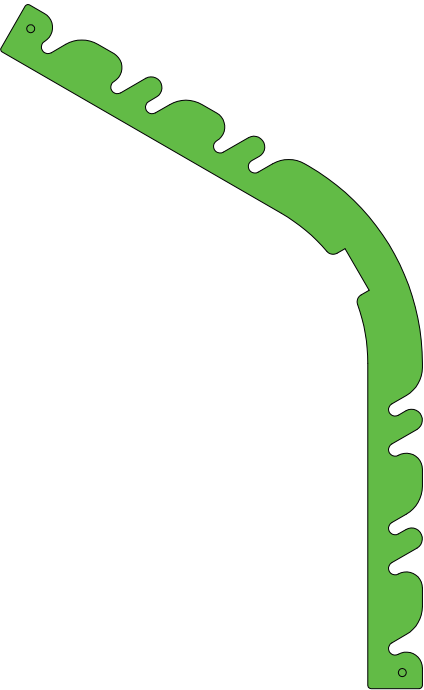


# Configuration plans Den Samsung

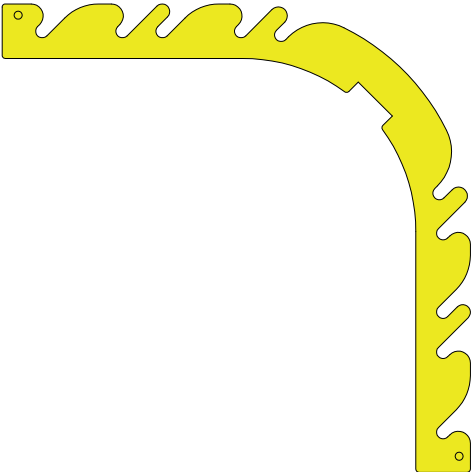


**SASS 00317**

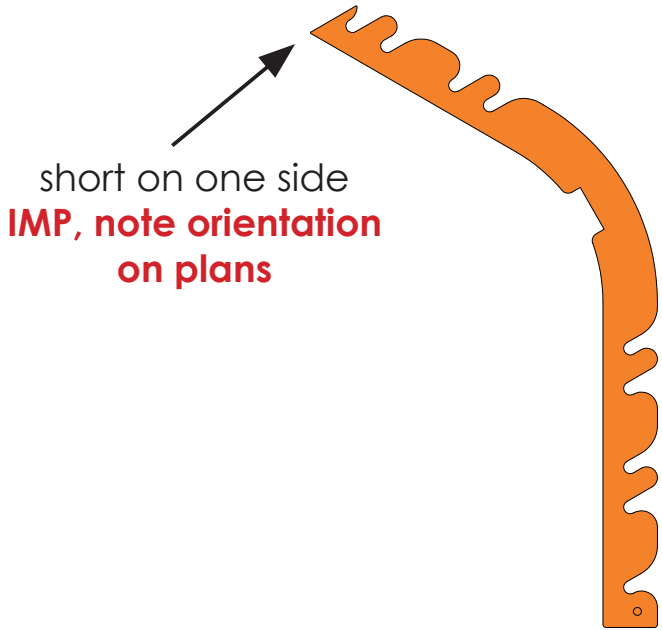
# Bracing connector key



120° bracing connector  
**(DCJB12001)**



90° bracing connector  
**(DCJB09001)**



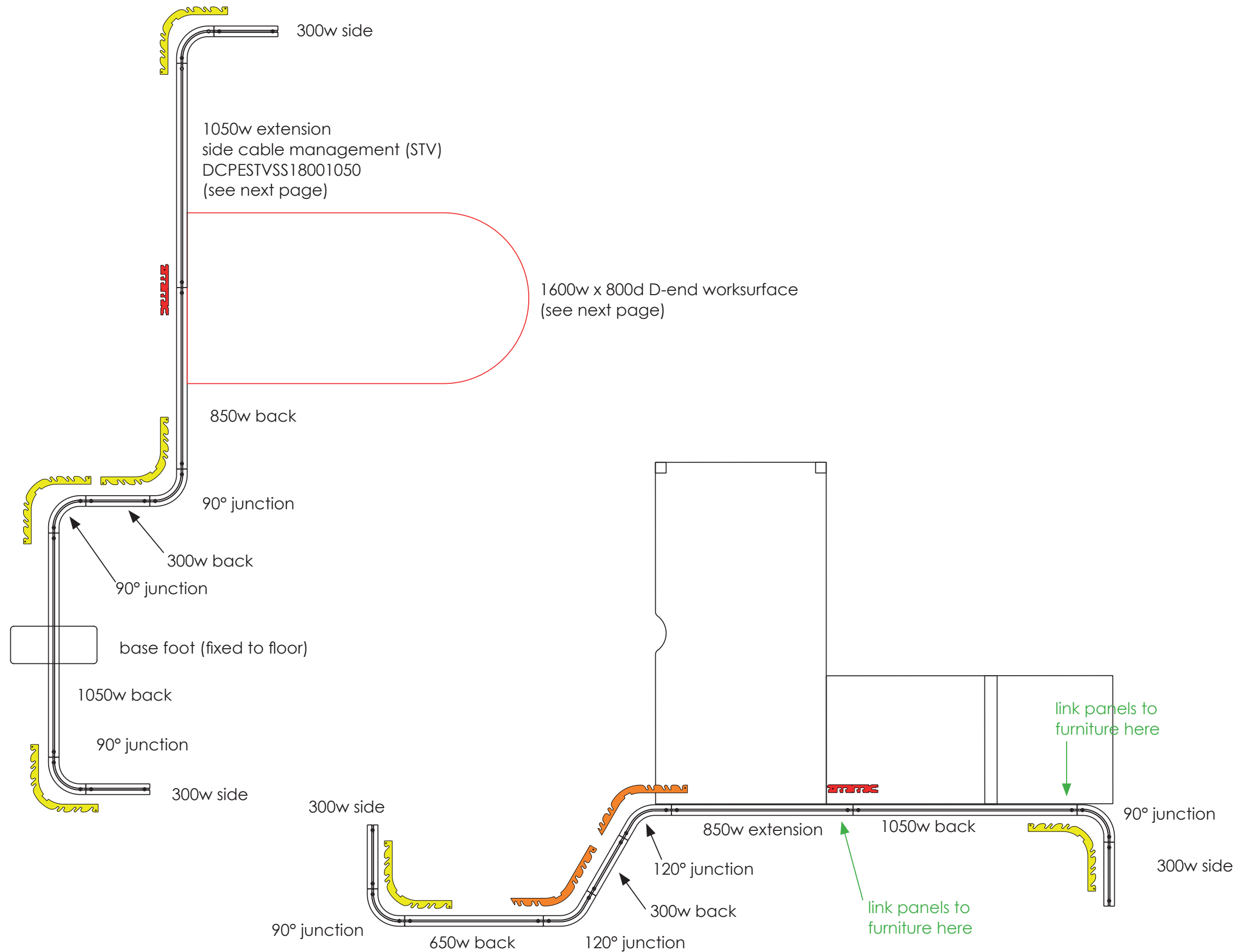
SS 120° bracing connector  
(short one side)  
**(SSDCJB12001)**



Straight bracing connector  
**(DCJB00101)**

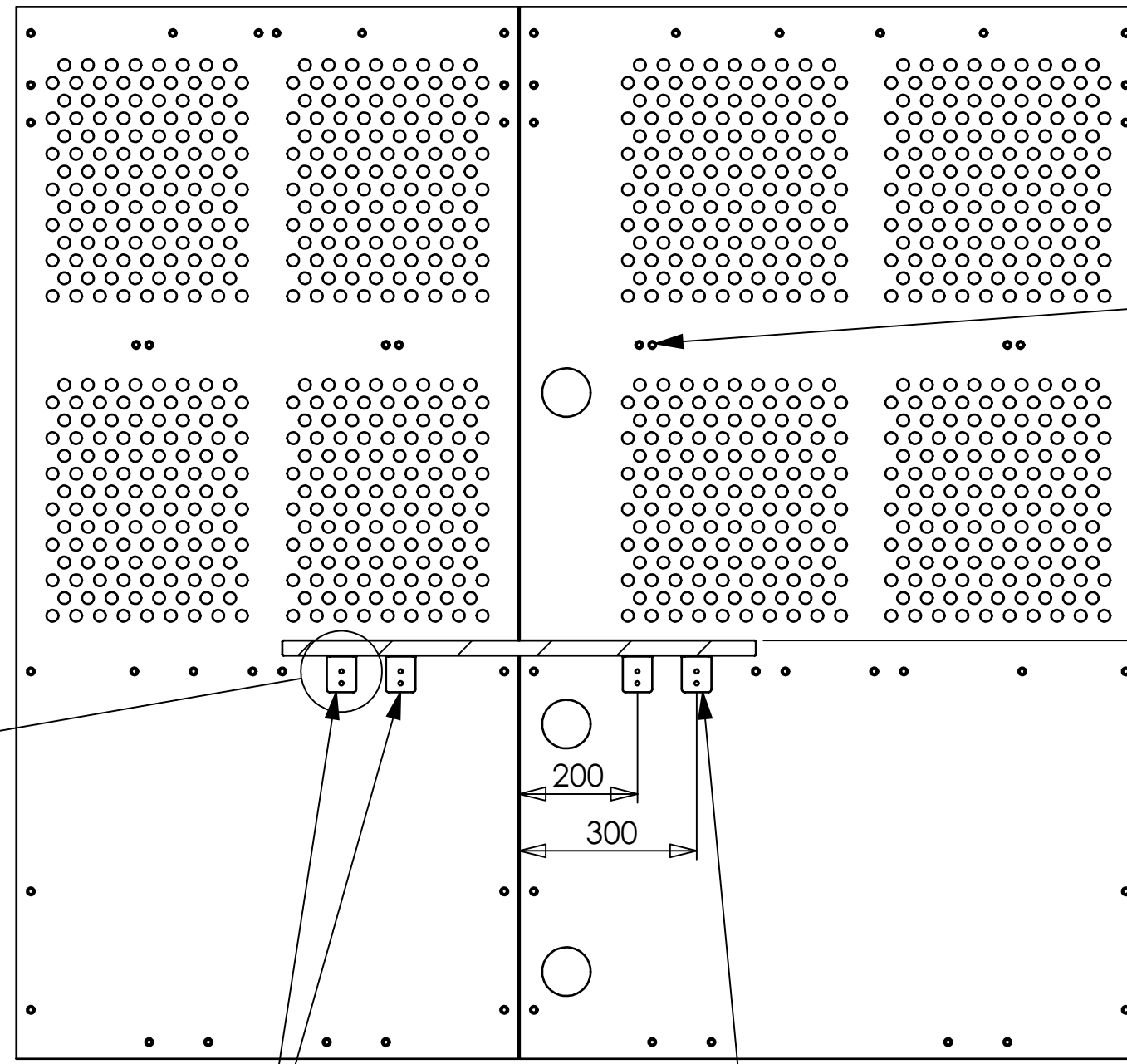
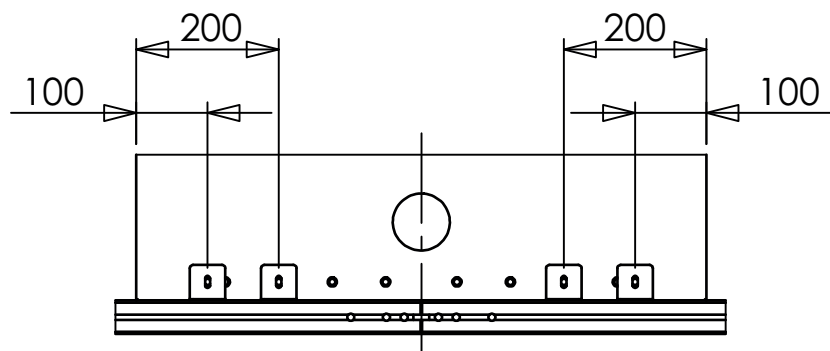
short sides

**Note;** When using the SS 120° bracing connectors (short one side) next to each other, orientate them so the short side of one is adjacent to the long side of the other



# CX VP

Bracket positions on the top panel



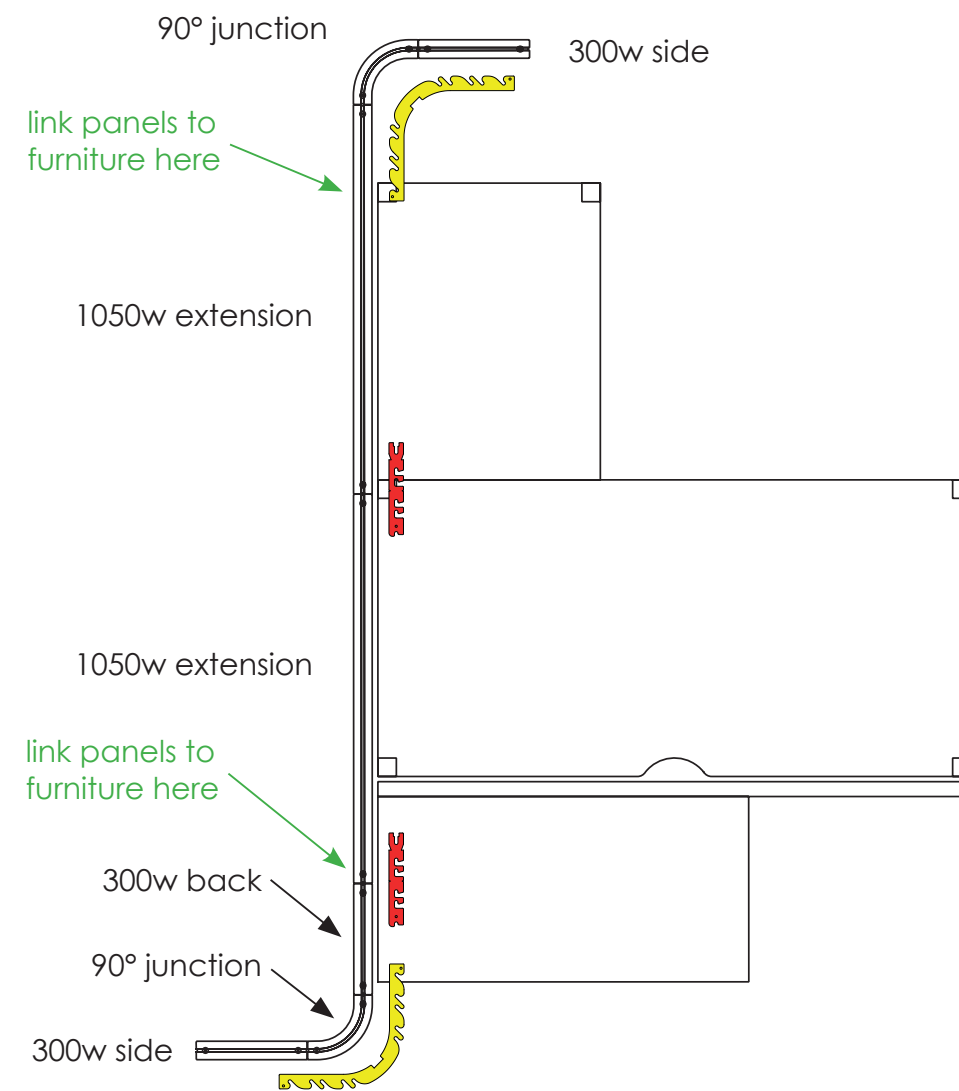
1050w extension side cable management (STV) DCPESTVSS18001050

For monitor mounting bracket see, SASS 00071

Fix the brackets to panel using the upper holes in the bracket

Fix both inner brackets & 1x outer bracket with M6x20 socket button heads to table top, & den panel

Fix 1x outer brackets with M6x20 socket button head to table top, & no'10 x 1.25 round head wood screw to den panel



# CE VP (desk 1 - 2)

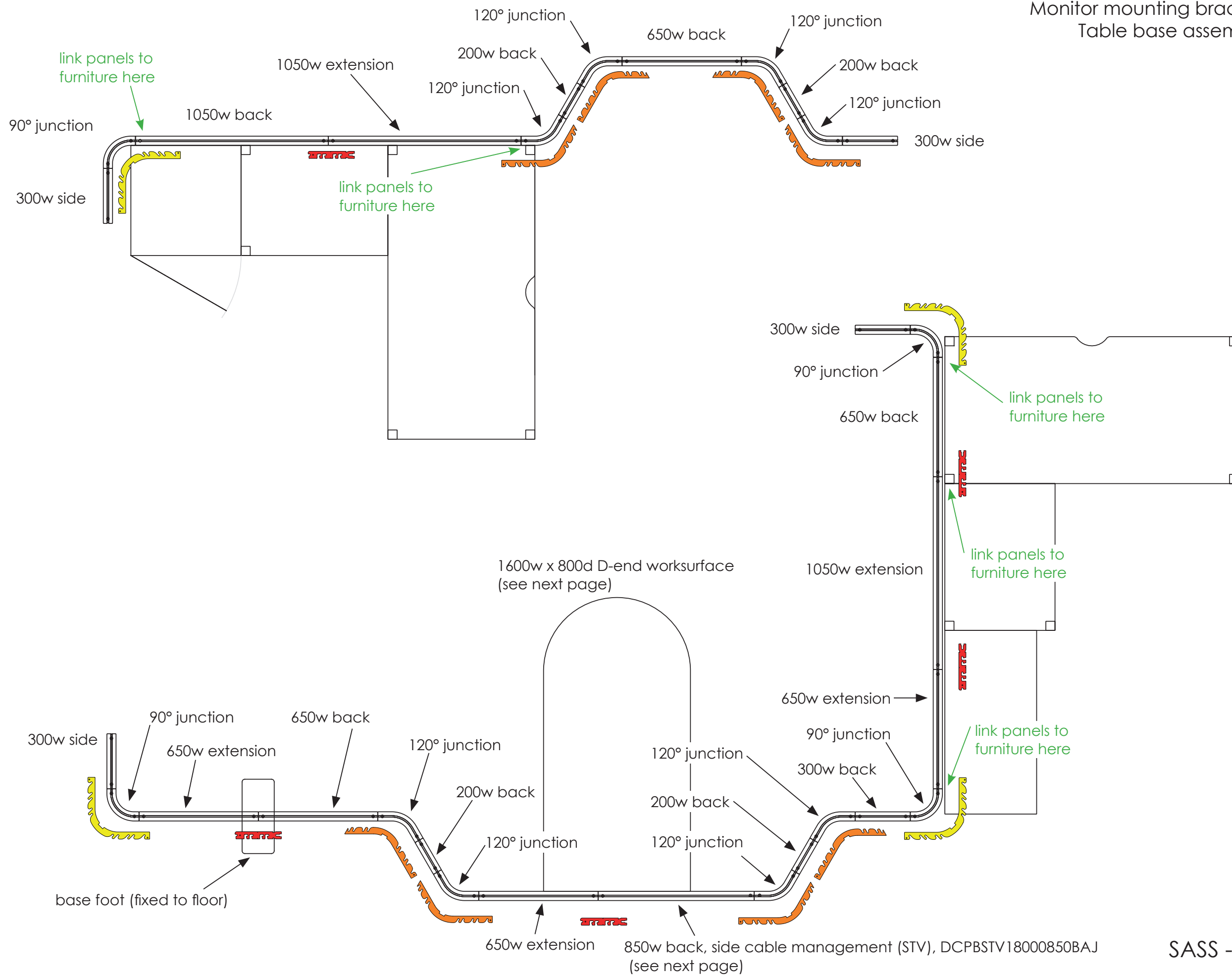
IMP; for assembly procedure please see the following instructions

General assembly methodology - SASS 00315

Den Stabiliser Foot - SASS 00238

Monitor mounting bracket - SASS 00071

Table base assembly - SASS 00318

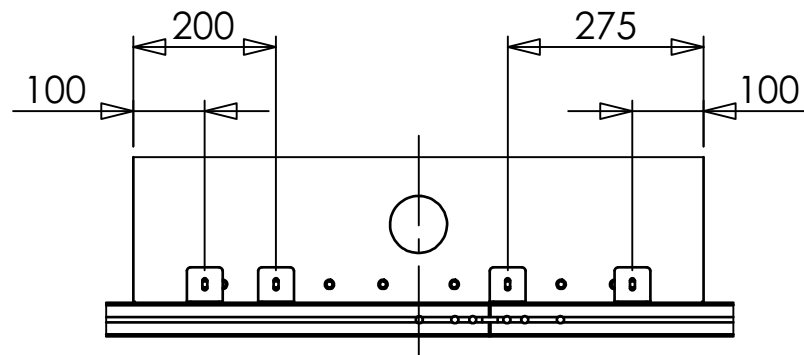


650w extension 850w back, side cable management (STV), DCPBSTV18000850BAJ (see next page)

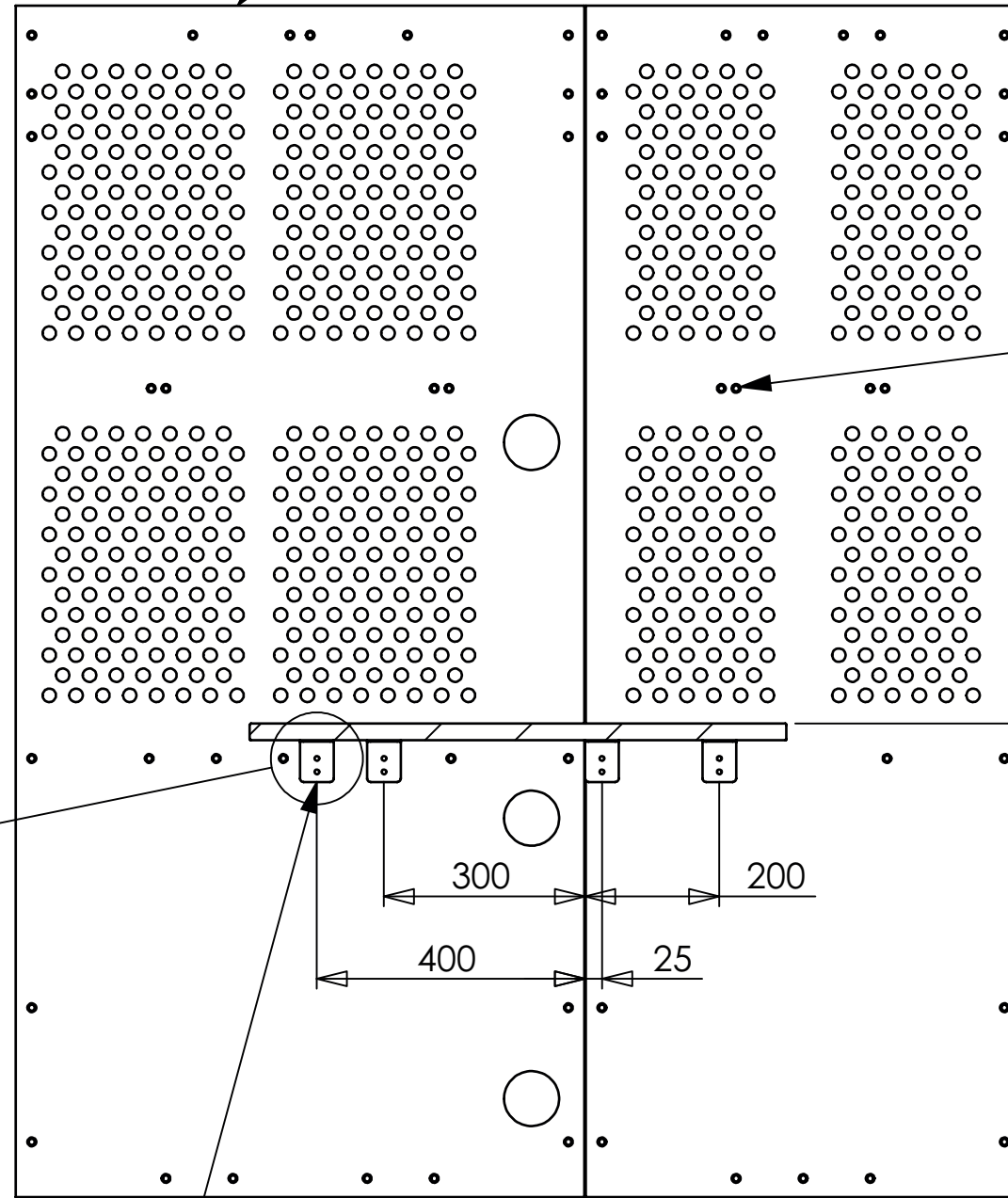


# CE VP (desks 1 - 2)

Bracket positions on the top panel

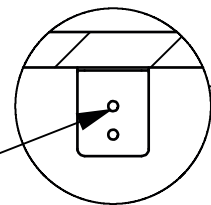


850w back,  
side cable management (STV))  
DCPBSTV18000850



For monitor mounting bracket see,  
SASS 00071

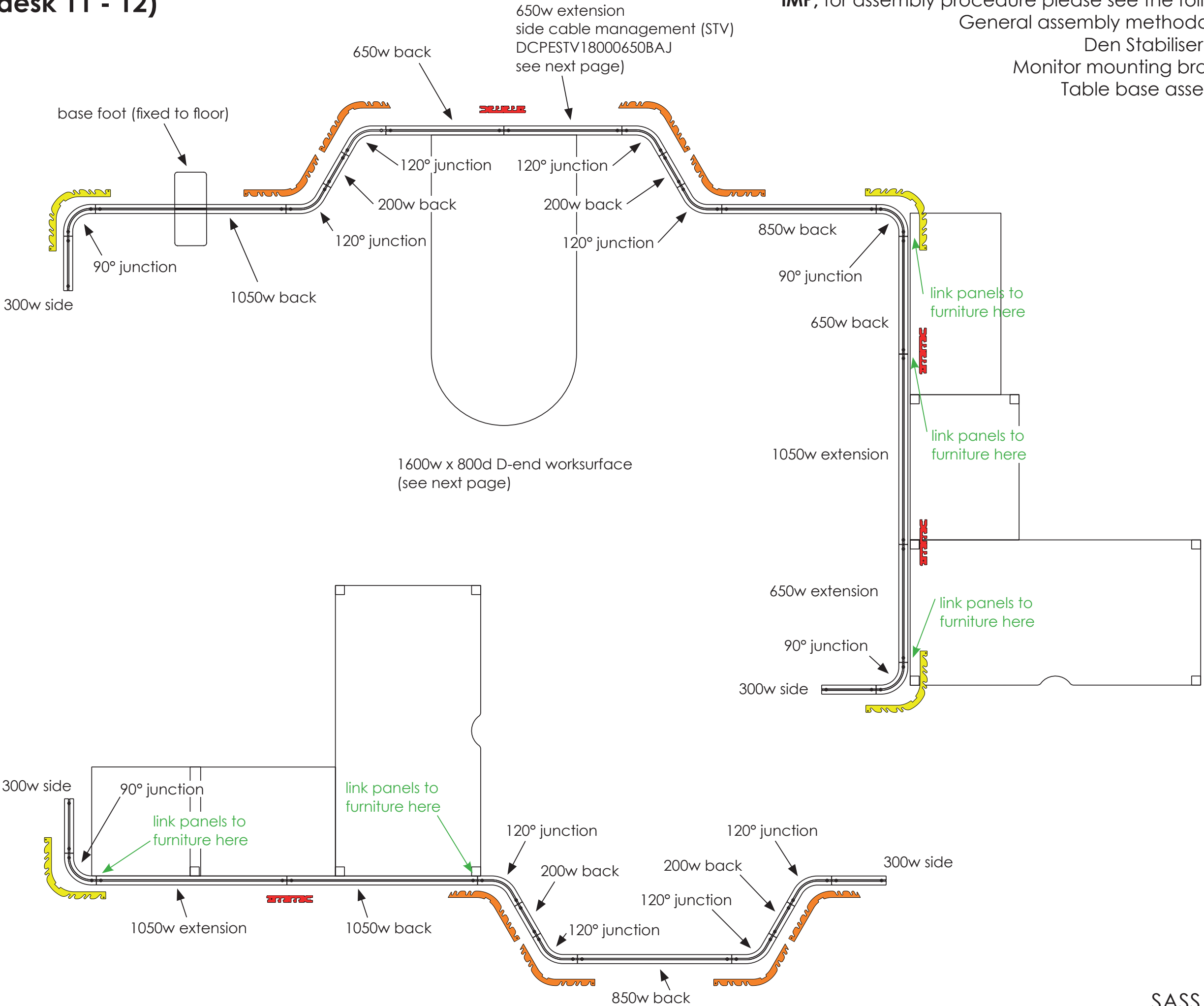
Fix the brackets to panel  
using the upper holes in  
the bracket



Fix all brackets with M6x20 socket button heads to  
table top, & den panel

# CE VP (desk 11 - 12)

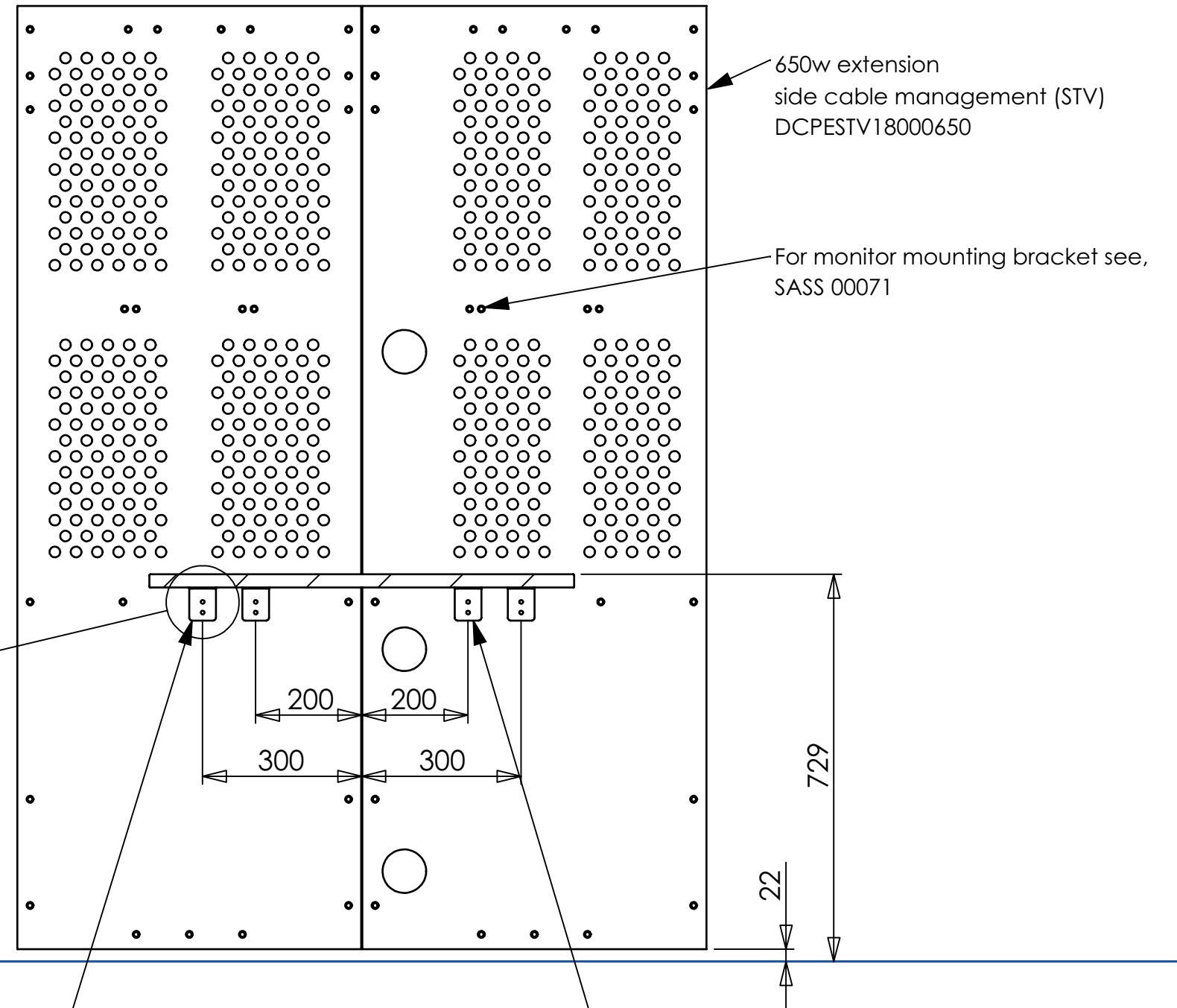
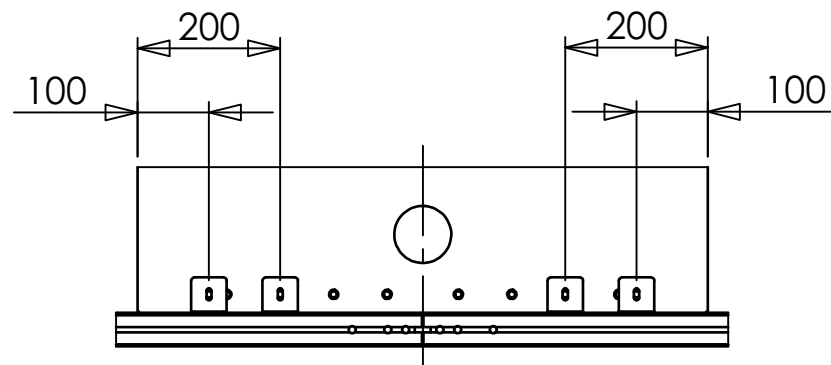
**IMP;** for assembly procedure please see the following instructions  
 General assembly methodology - SASS 00315  
 Den Stabiliser Foot - SASS 00238  
 Monitor mounting bracket - SASS 00071  
 Table base assembly - SASS 00318



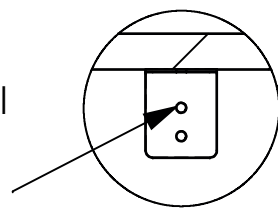


# CE VP (desks 11 - 12)

Bracket positions on the top panel



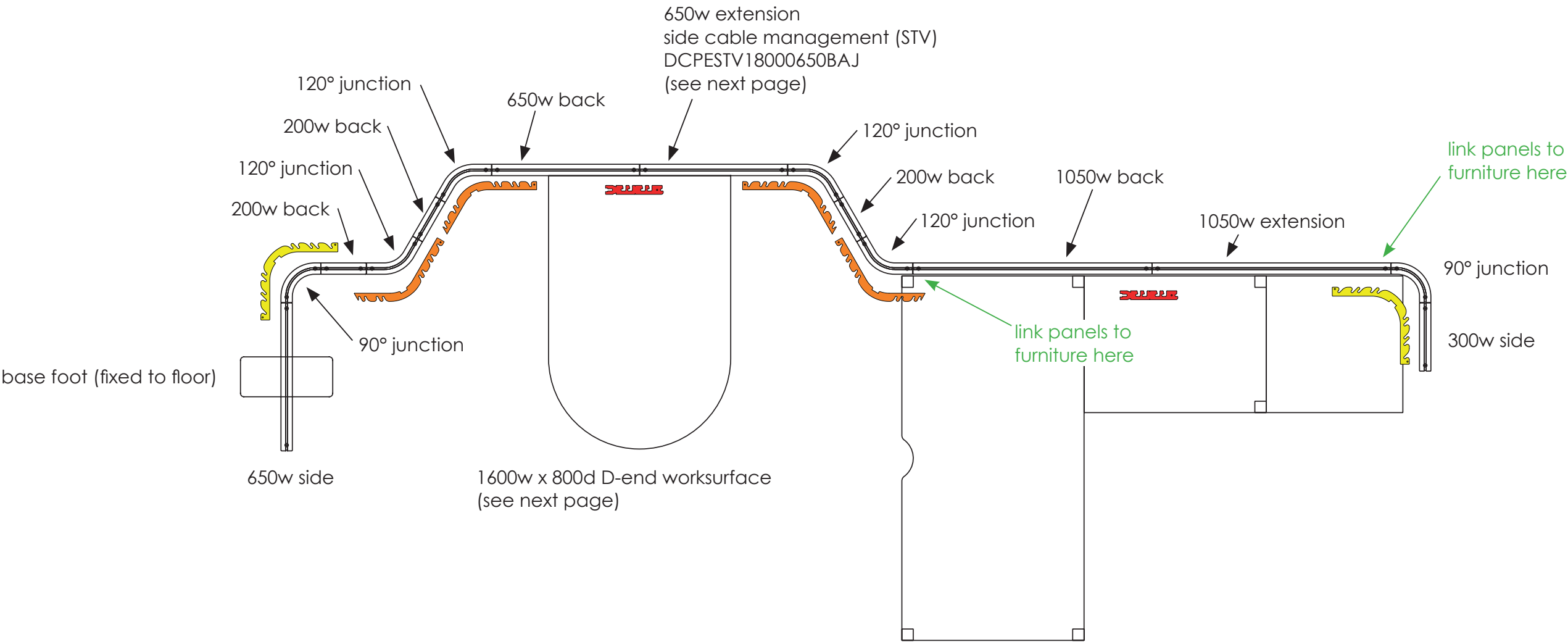
Fix the brackets to panel using the upper holes in the bracket



Fix outer brackets with M6x20 socket button head to table top, & no'10 x 1.25 round head wood screw to den panel

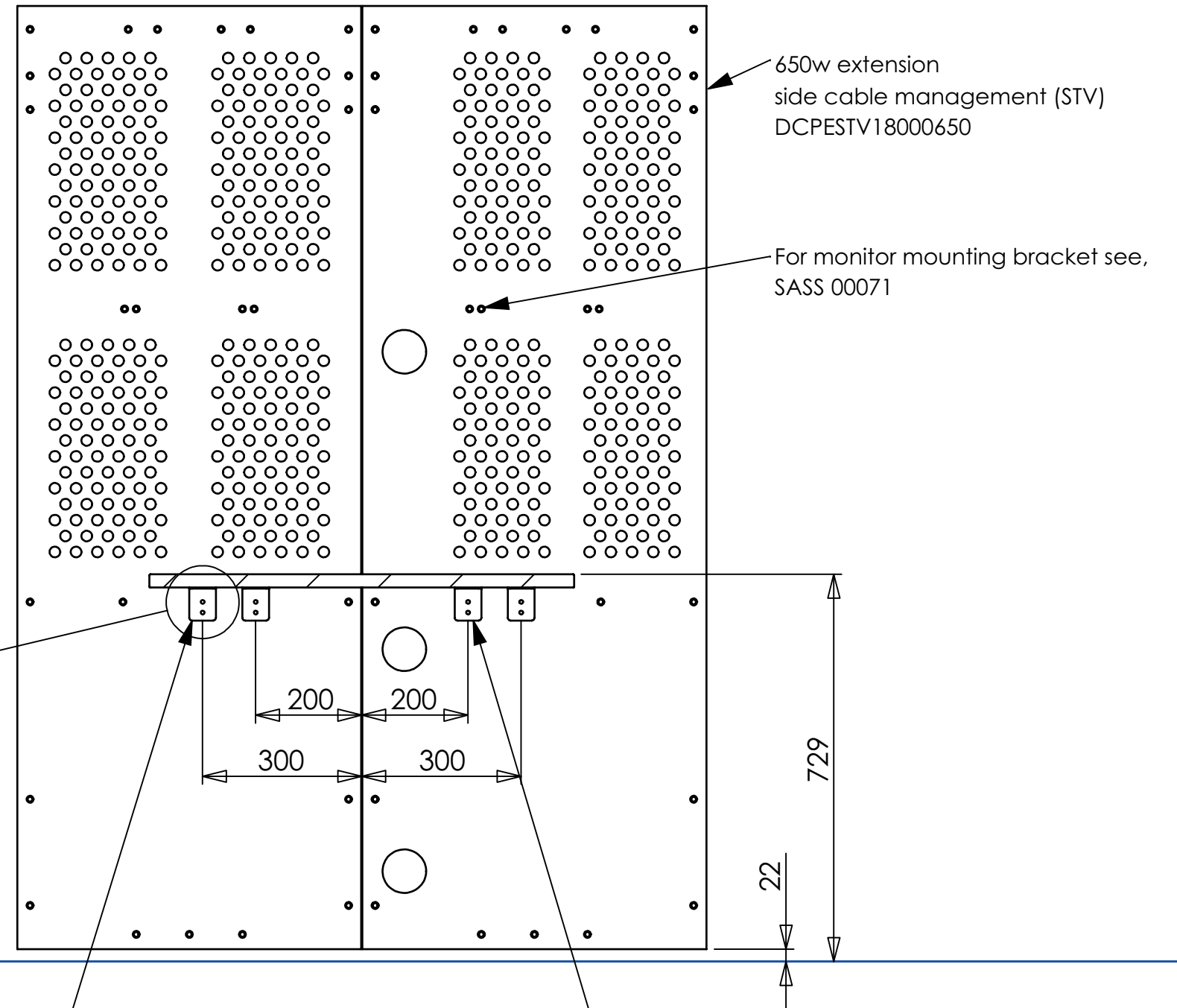
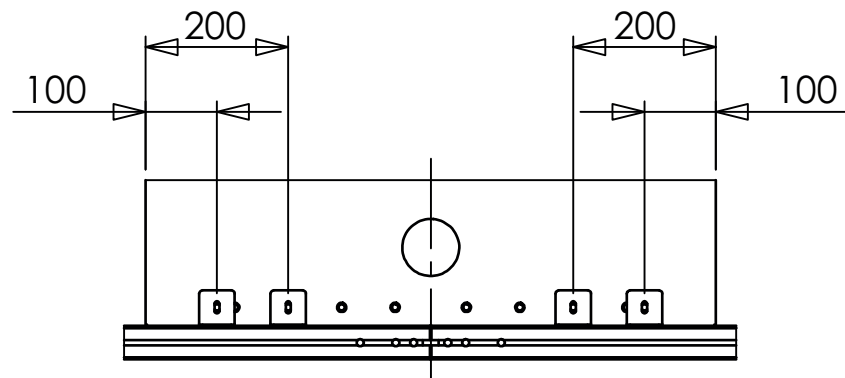
Fix inner brackets with M6x20 socket button heads to table top, & den panel

IMP; for assembly procedure please see the following instructions  
General assembly methodology - SASS 00315  
Den Stabiliser Foot - SASS 00238  
Monitor mounting bracket - SASS 00071  
Table base assembly - SASS 00318

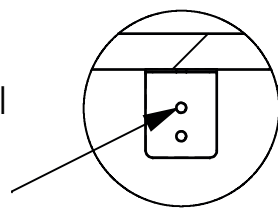


# Finance

Bracket positions on the top panel



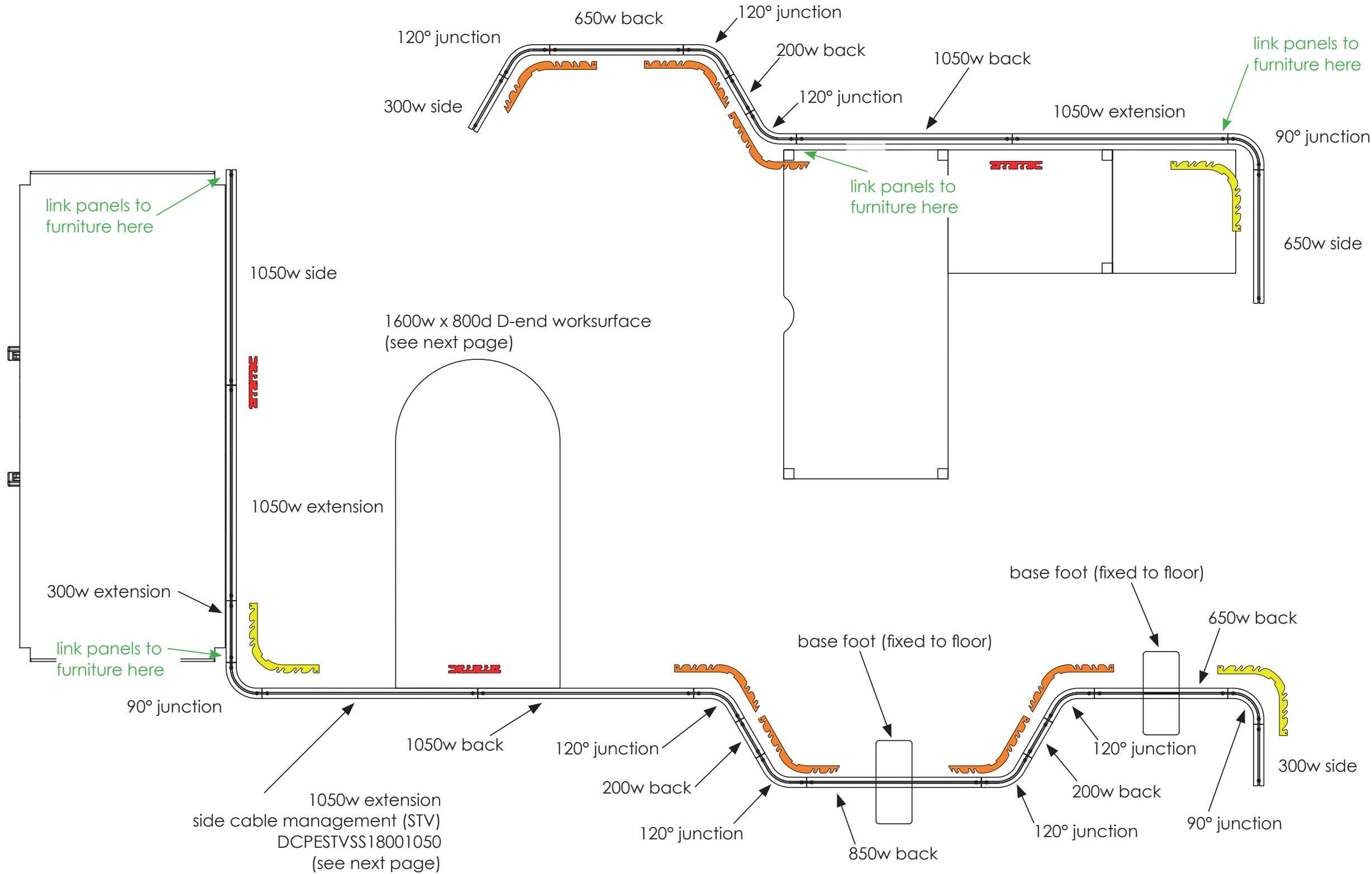
Fix the brackets to panel using the upper holes in the bracket



Fix outer brackets with M6x20 socket button head to table top, & no'10 x 1.25 round head wood screw to den panel

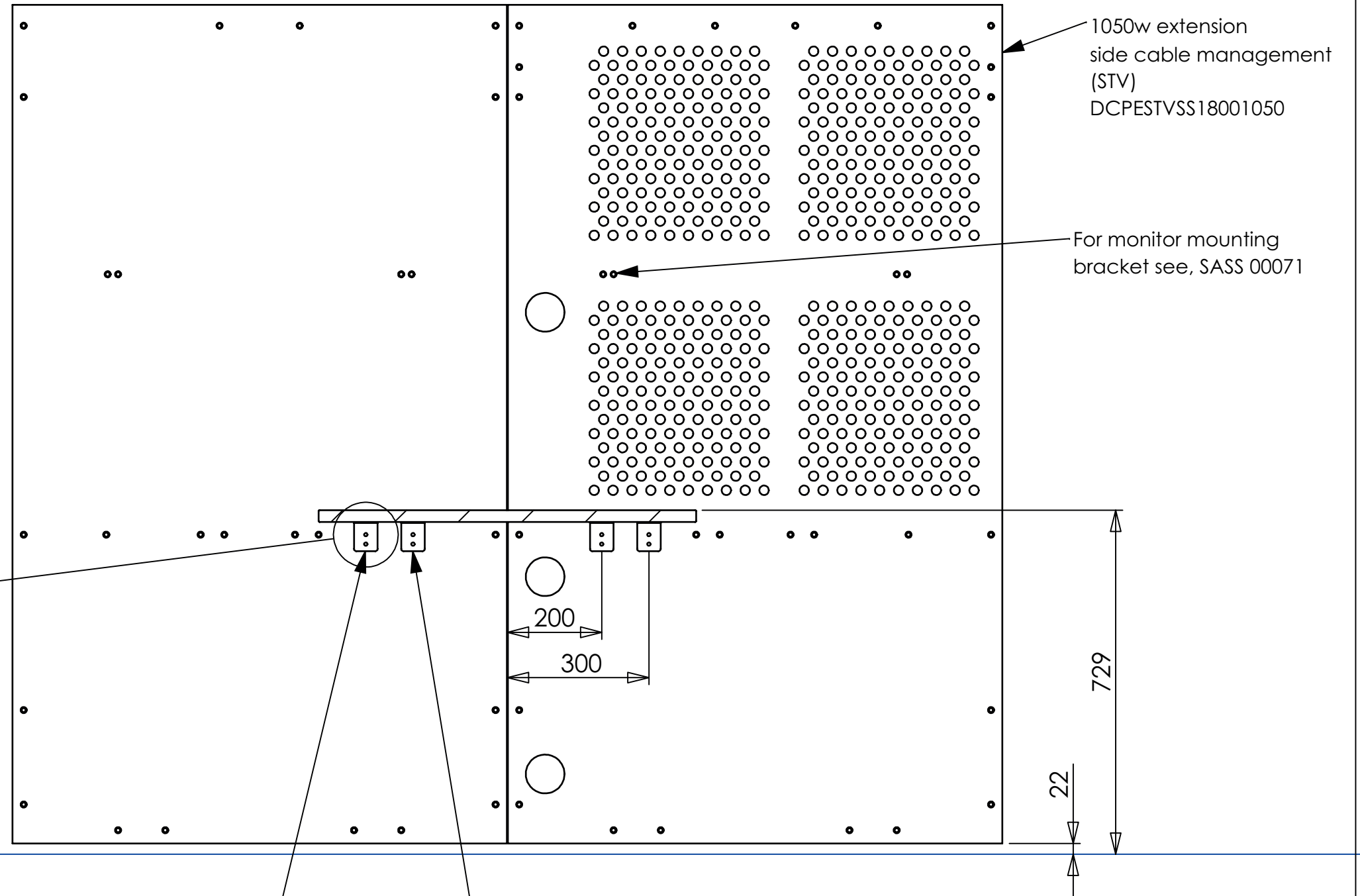
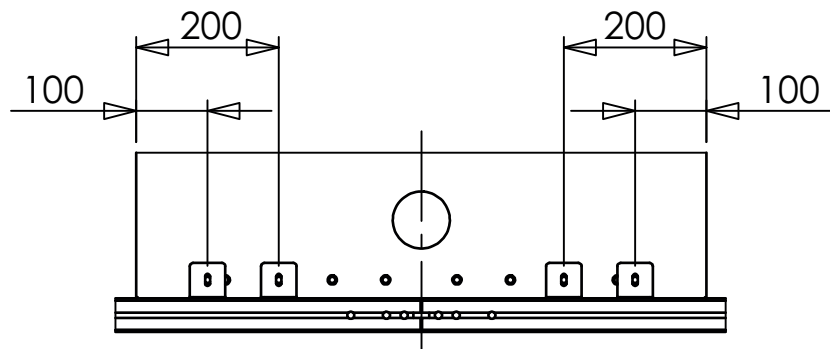
Fix inner brackets with M6x20 socket button heads to table top, & den panel

IMP; for assembly procedure please see the following instructions  
General assembly methodology - SASS 00315  
Den Stabiliser Foot - SASS 00238  
Monitor mounting bracket - SASS 00071  
Table base assembly - SASS 00318

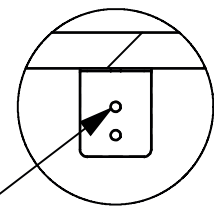


# HR VP

Bracket positions on the top panel

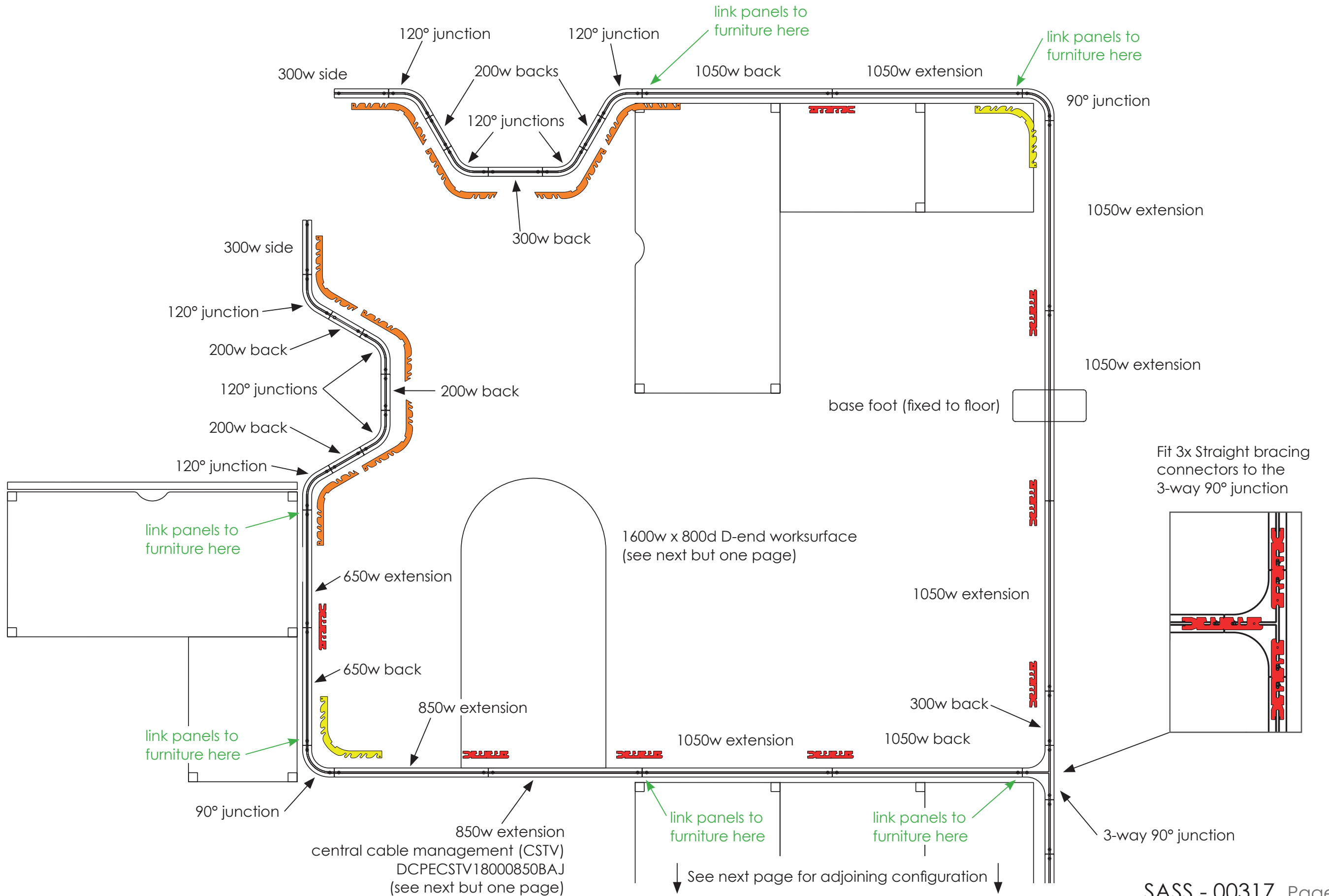


Fix the brackets to panel using the upper holes in the bracket



Fix outer brackets with M6x20 socket button head to table top, & no'10 x 1.25 round head wood screw to den panel

Fix inner brackets with M6x20 socket button heads to table top, & den panel





# IM VP, continued

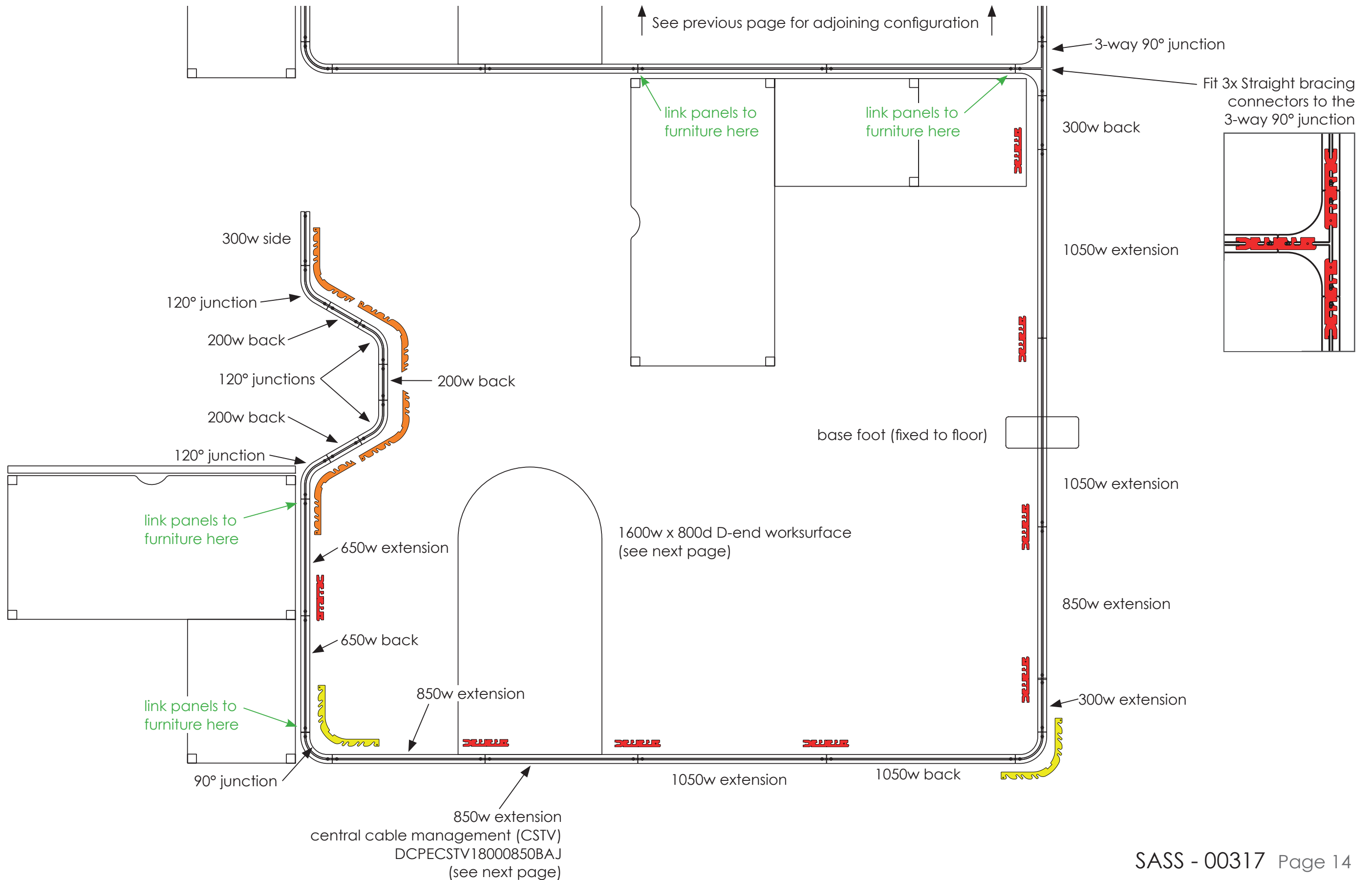
IMP; for assembly procedure please see the following instructions

General assembly methodology - SASS 00315

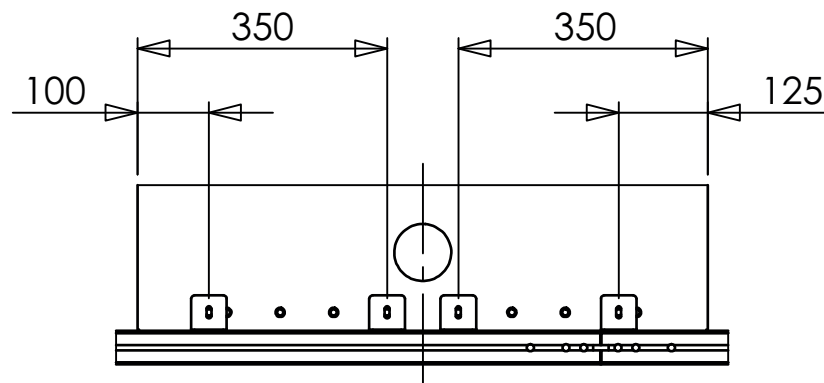
Den Stabiliser Foot - SASS 00238

Monitor mounting bracket - SASS 00071

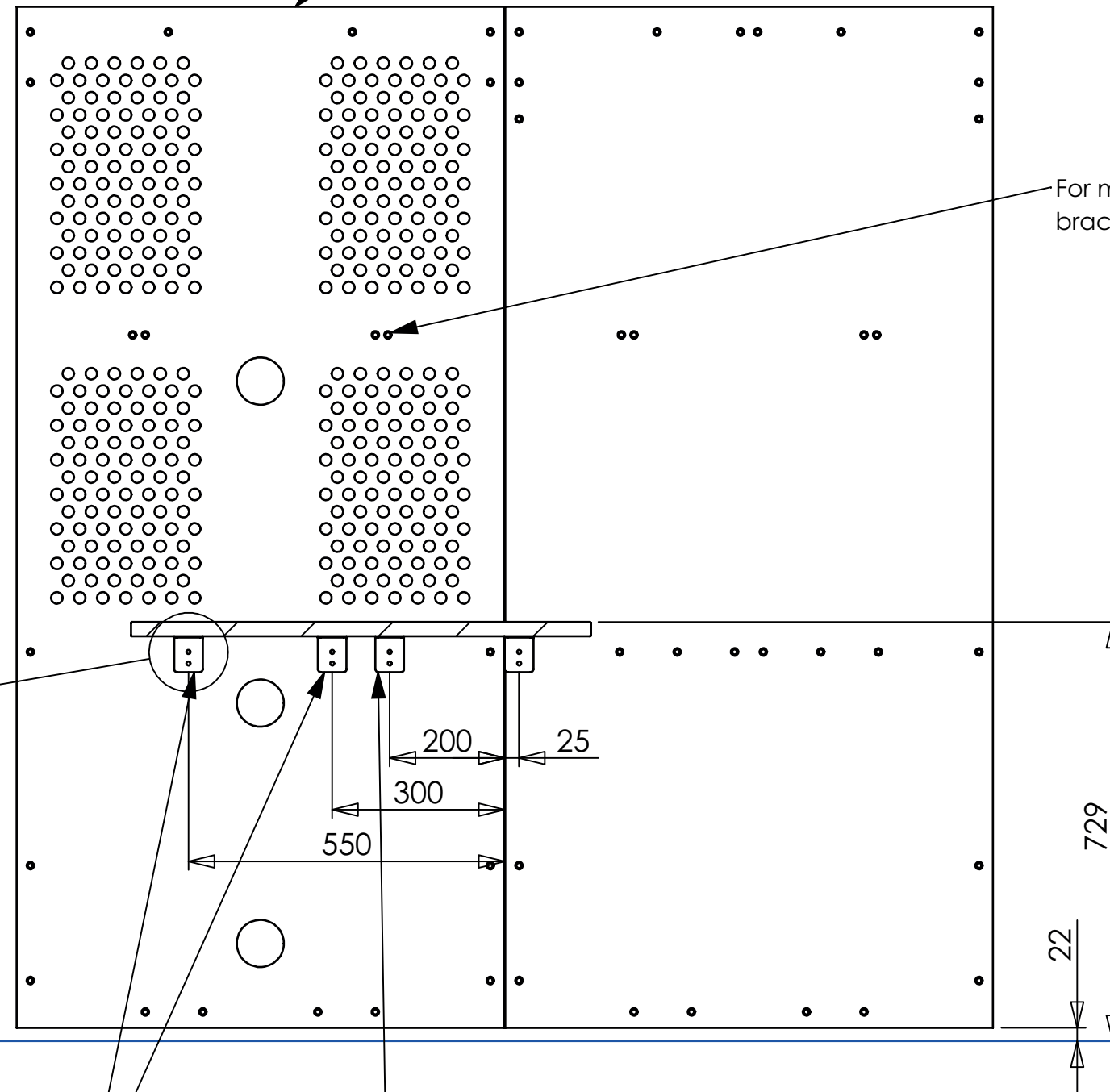
Table base assembly - SASS 00318



Bracket positions on the top panel



850w extension  
central cable management (CSTV)  
DCPECSTV18000850

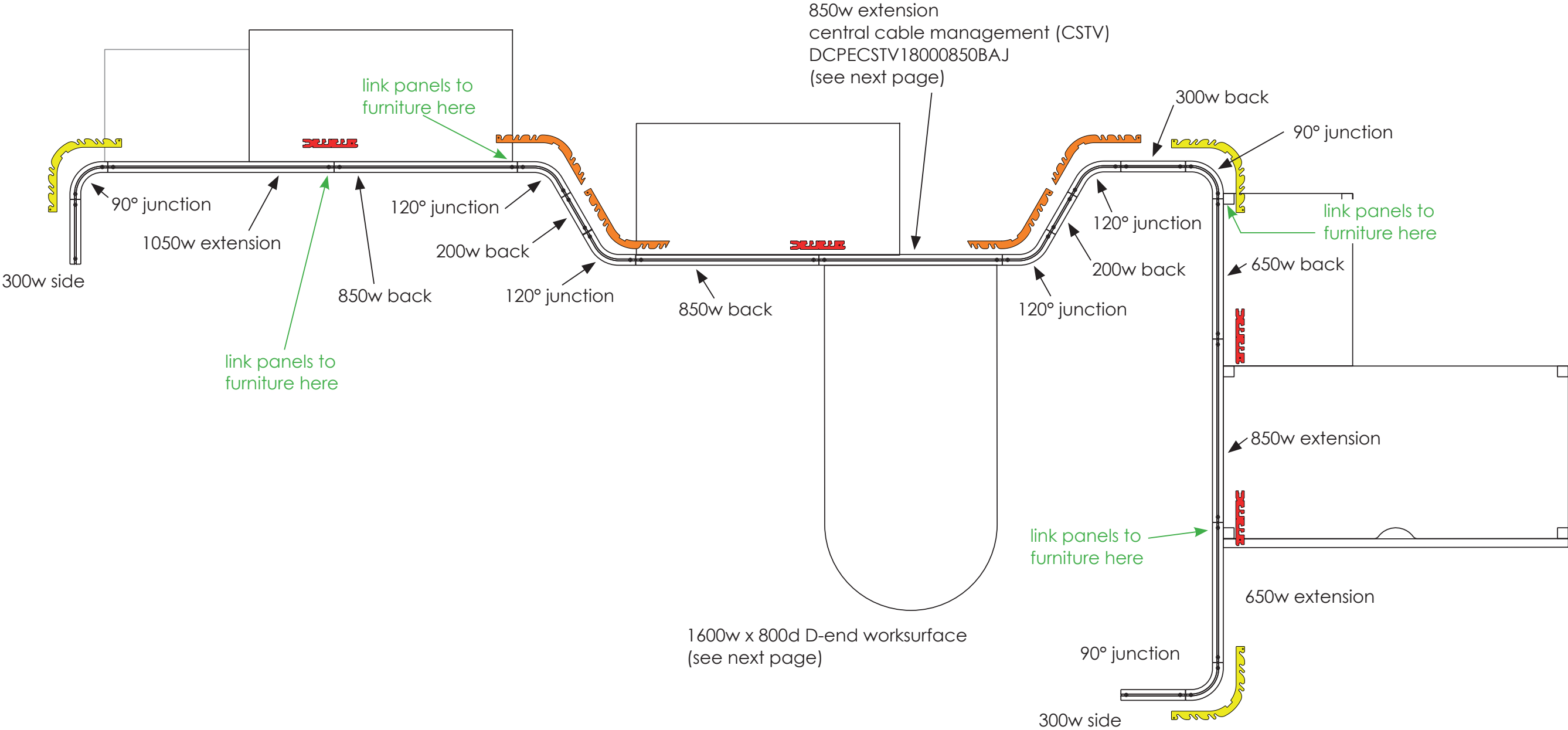


Fix the brackets to panel  
using the upper holes in  
the bracket

Fix outer brackets & 1 inner bracket  
with M6x20 socket button heads to table top, & den panel

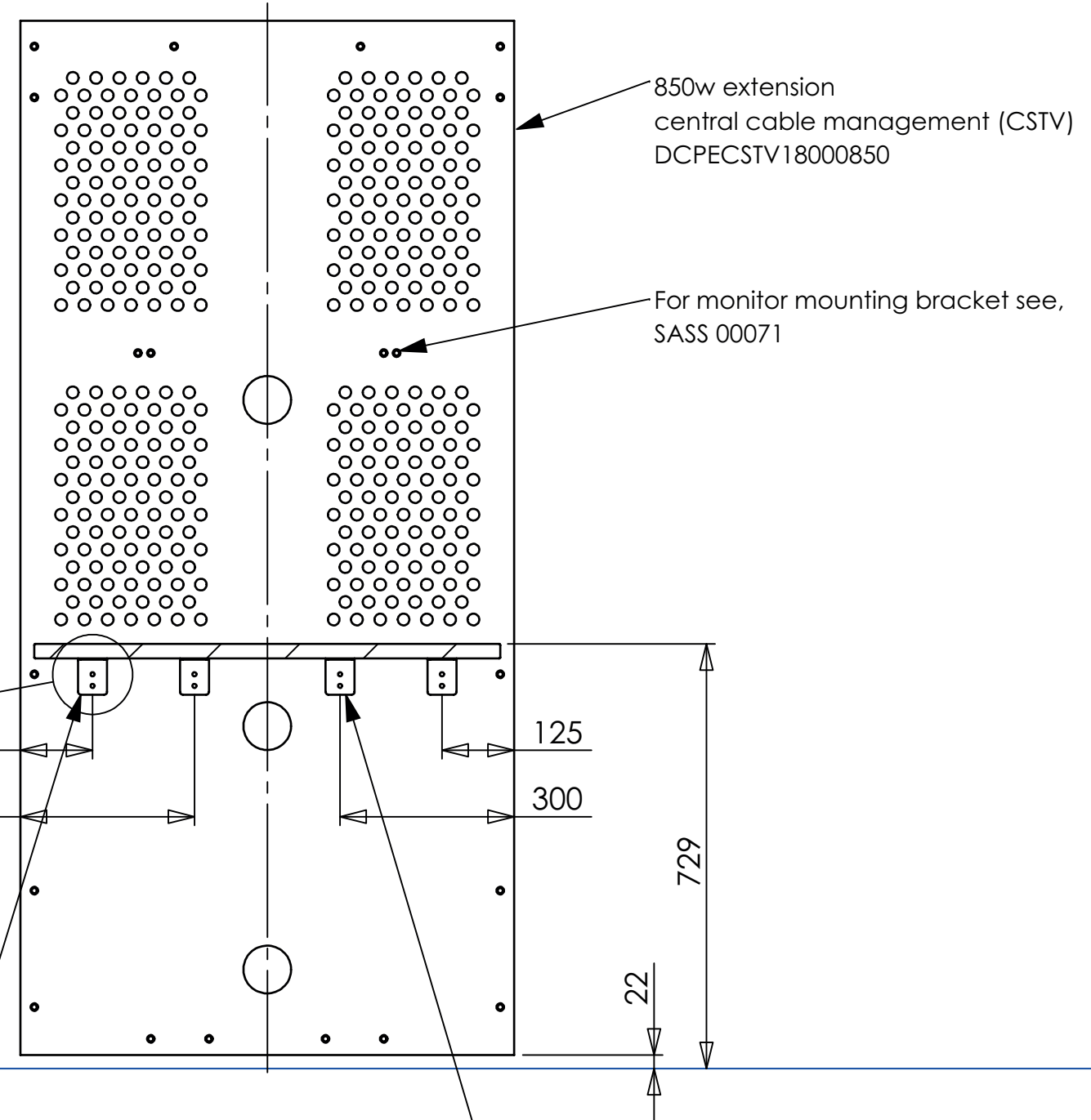
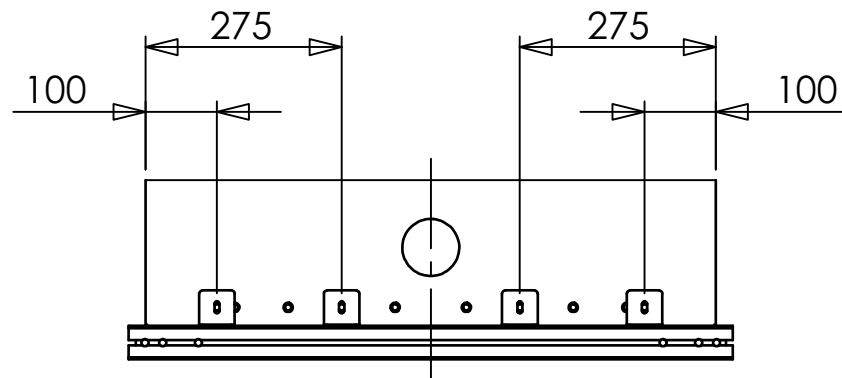
Fix this bracket with M6x20 socket button head to table top,  
& no'10 x 1.25 round head wood screw to den panel

IMP; for assembly procedure please see the following instructions  
General assembly methodology - SASS 00315  
Den Stabiliser Foot - SASS 00238  
Monitor mounting bracket - SASS 00071  
Table base assembly - SASS 00318



# EO M VP 1

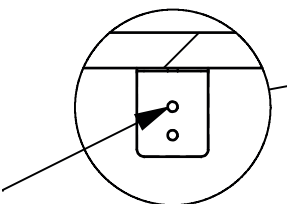
Bracket positions on the top panel



850w extension central cable management (CSTV) DCPECSTV18000850

For monitor mounting bracket see, SASS 00071

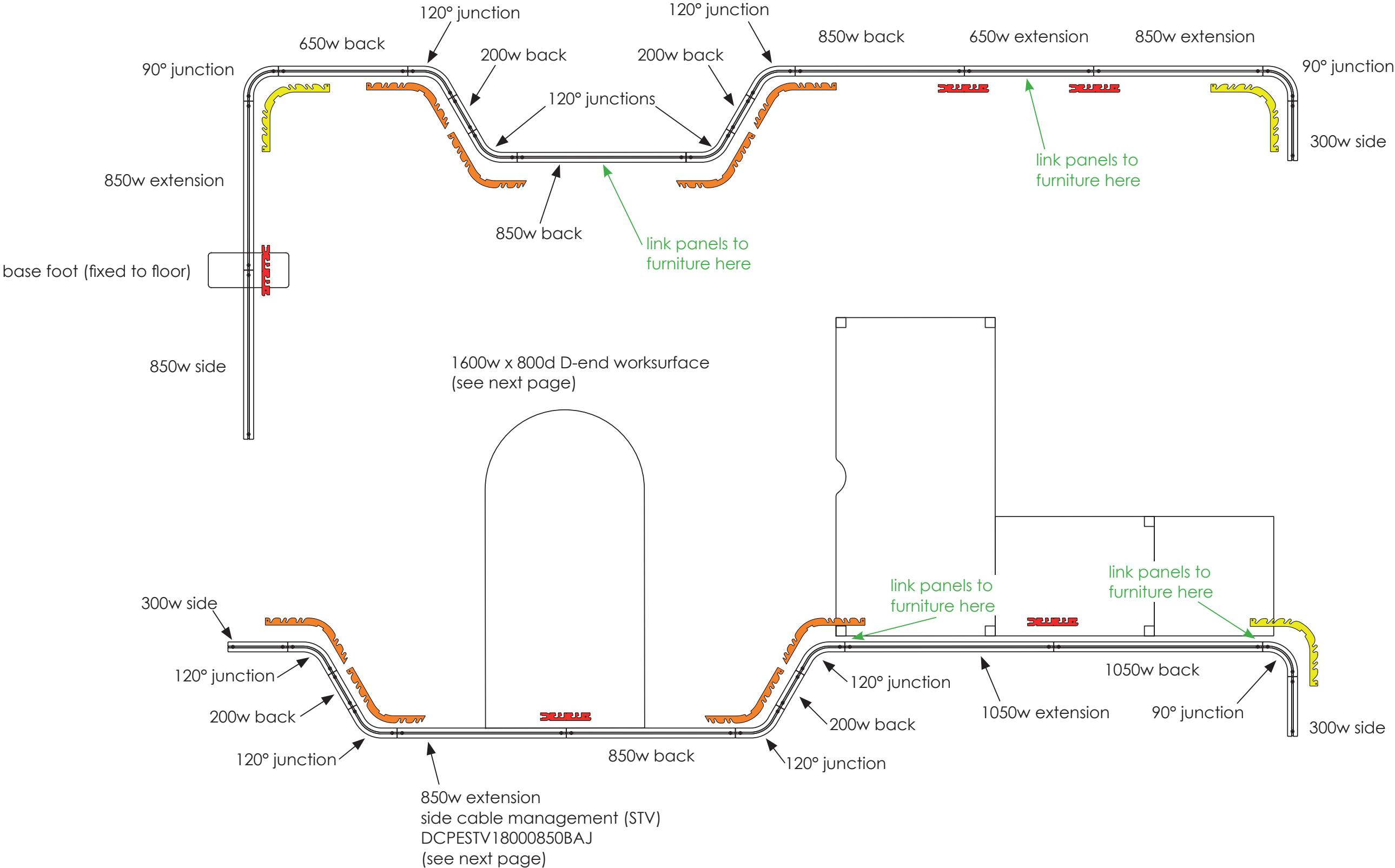
Fix the brackets to panel using the upper holes in the bracket



Fix outer brackets with M6x20 socket button head to table top, & no'10 x 1.25 round head wood screw to den panel

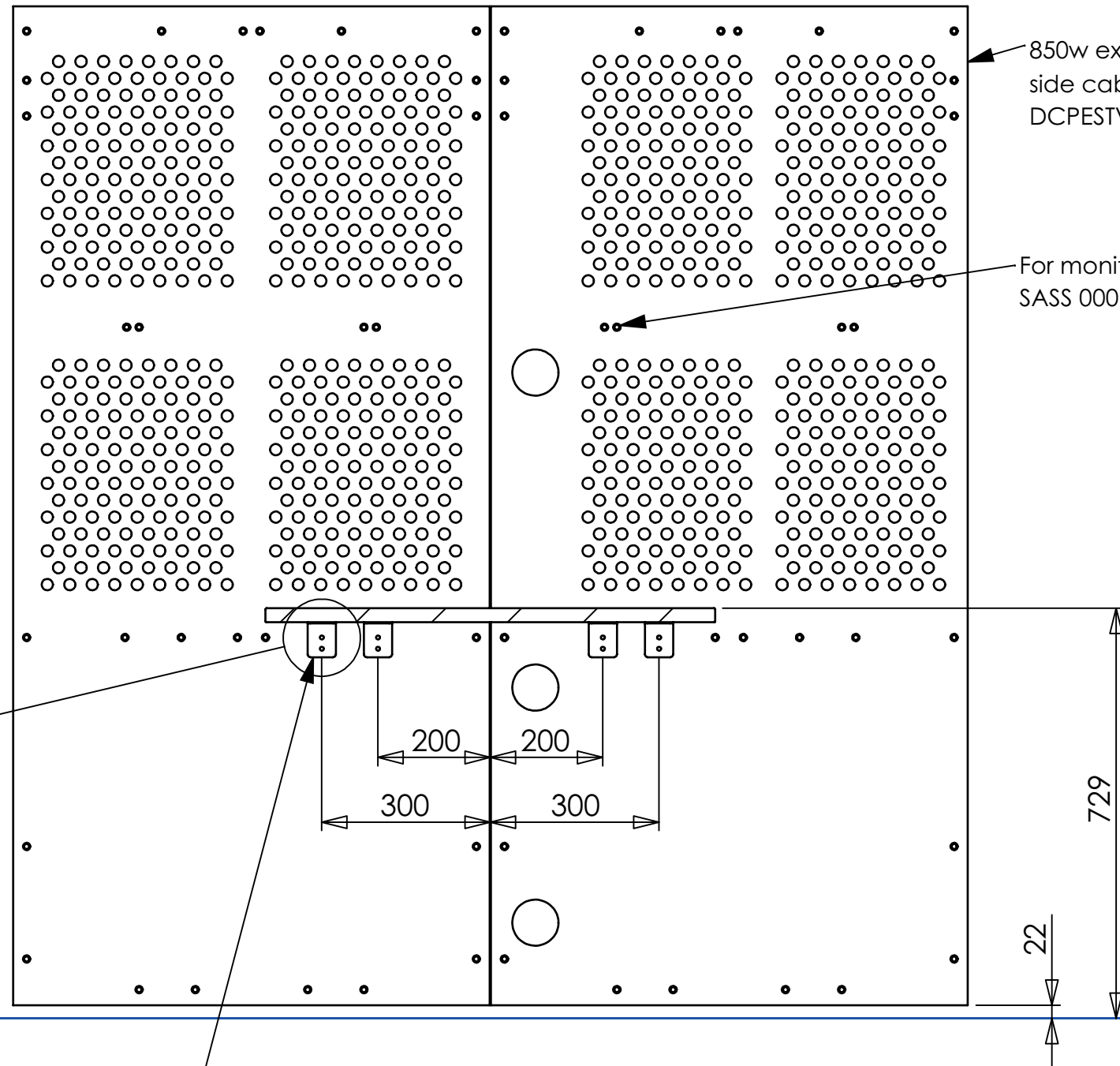
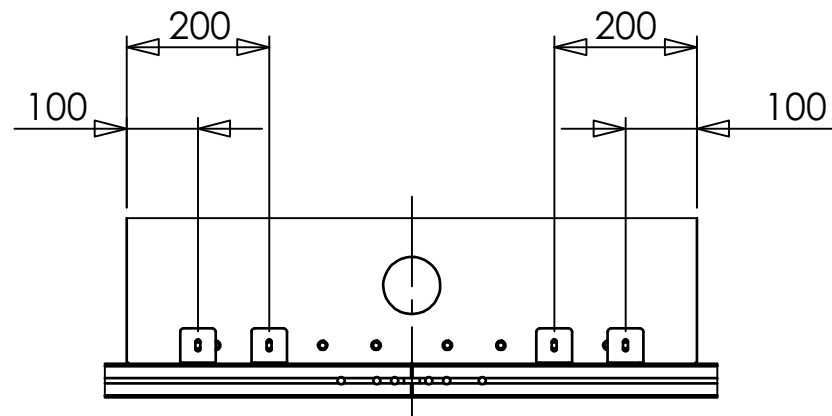
Fix inner brackets with M6x20 socket button heads to table top, & den panel

IMP; for assembly procedure please see the following instructions  
General assembly methodology - SASS 00315  
Den Stabiliser Foot - SASS 00238  
Monitor mounting bracket - SASS 00071  
Table base assembly - SASS 00318

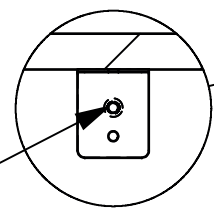


# EO M VP 2

Bracket positions on the top panel



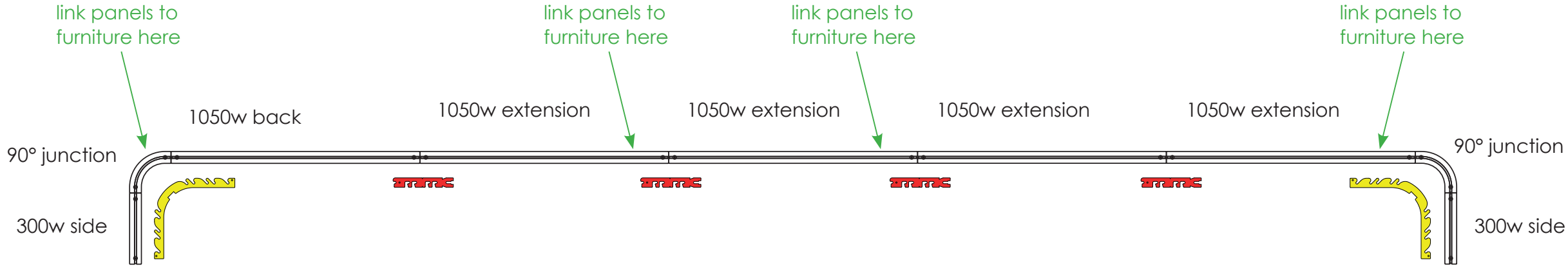
Fix the brackets to panel using the upper holes in the bracket



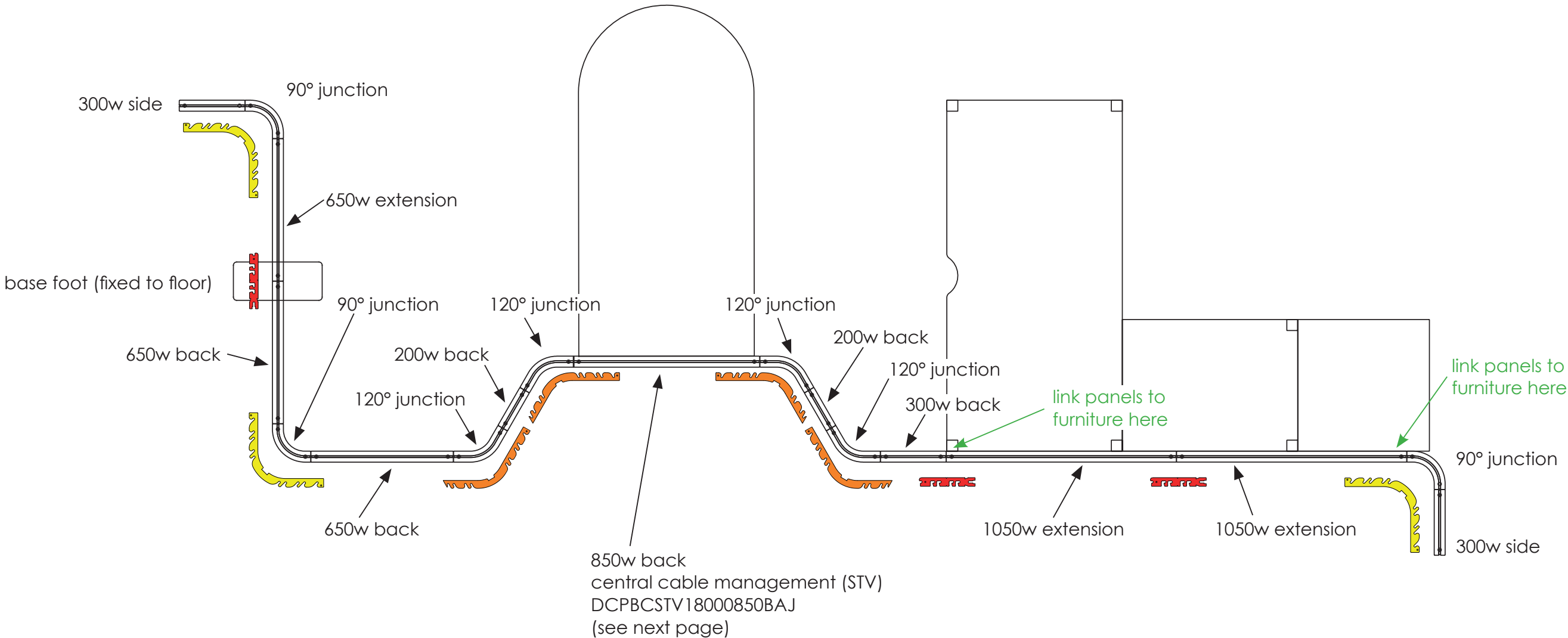
Fix all brackets with M6x20 socket button heads to table top, & den panel



IMP; for assembly procedure please see the following instructions  
General assembly methodology - SASS 00315  
Den Stabiliser Foot - SASS 00238  
Monitor mounting bracket - SASS 00071  
Table base assembly - SASS 00318

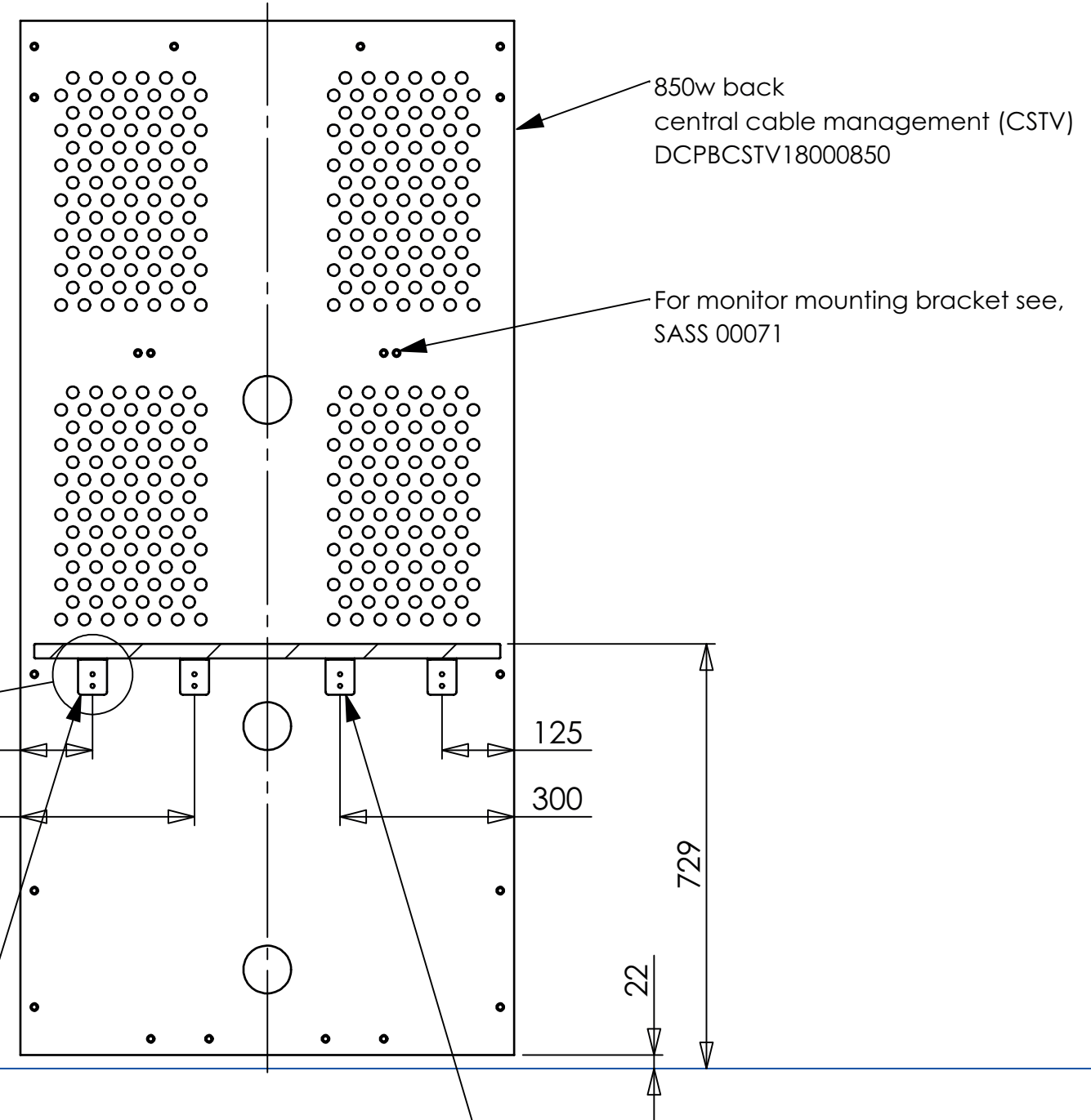
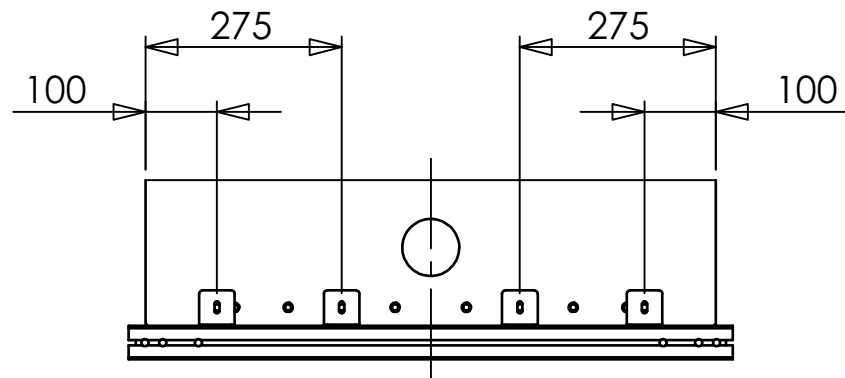


1600w x 800d D-end worksurface  
(see next page)

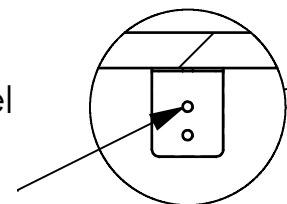


# EO M VP 3

Bracket positions on the top panel



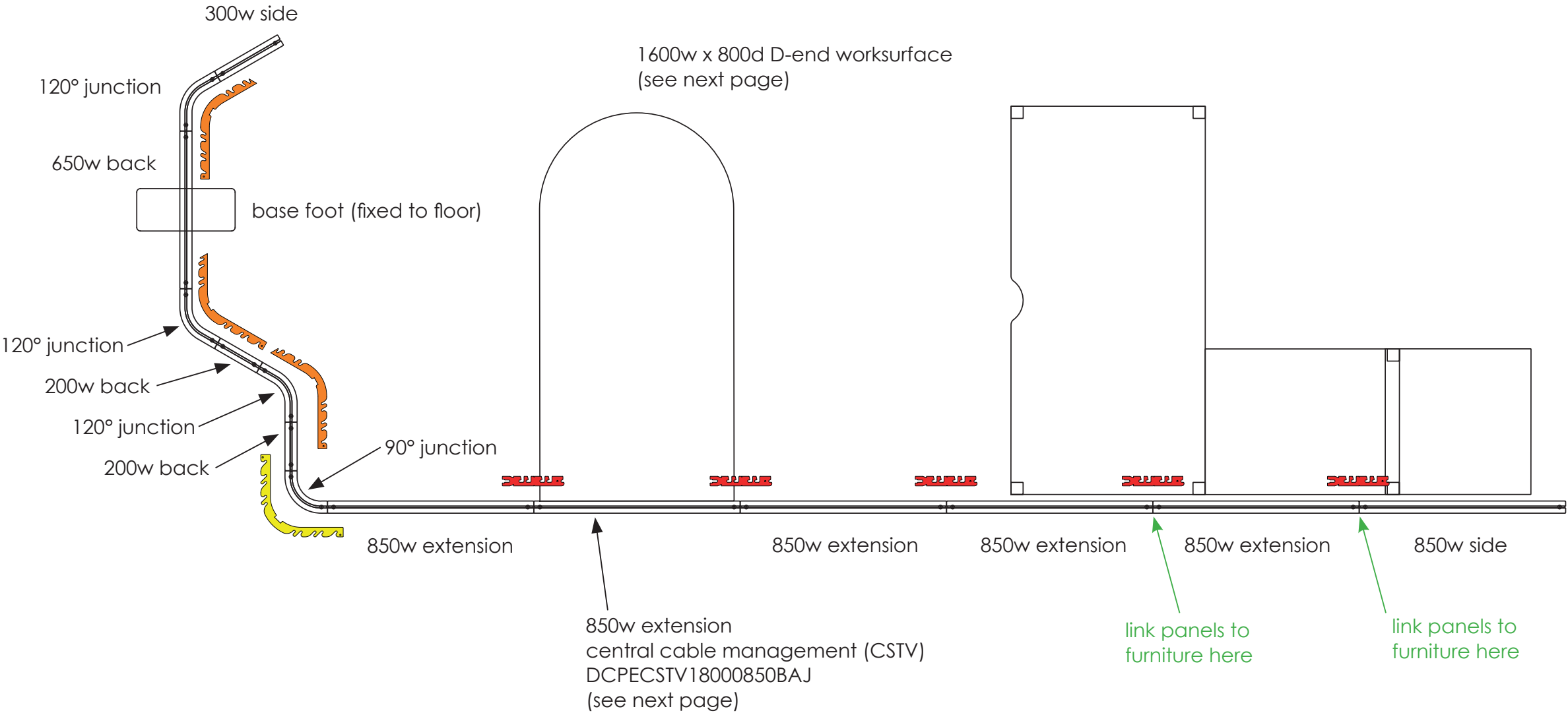
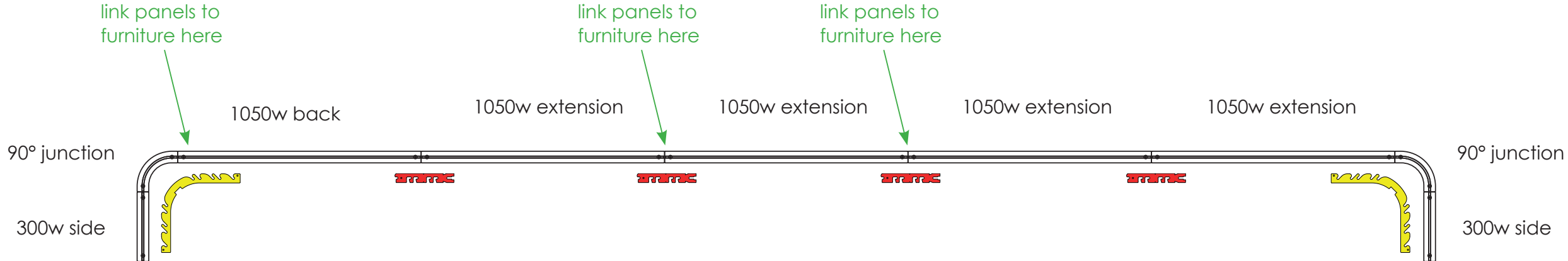
Fix the brackets to panel using the upper holes in the bracket



Fix outer brackets with M6x20 socket button head to table top, & no'10 x 1.25 round head wood screw to den panel

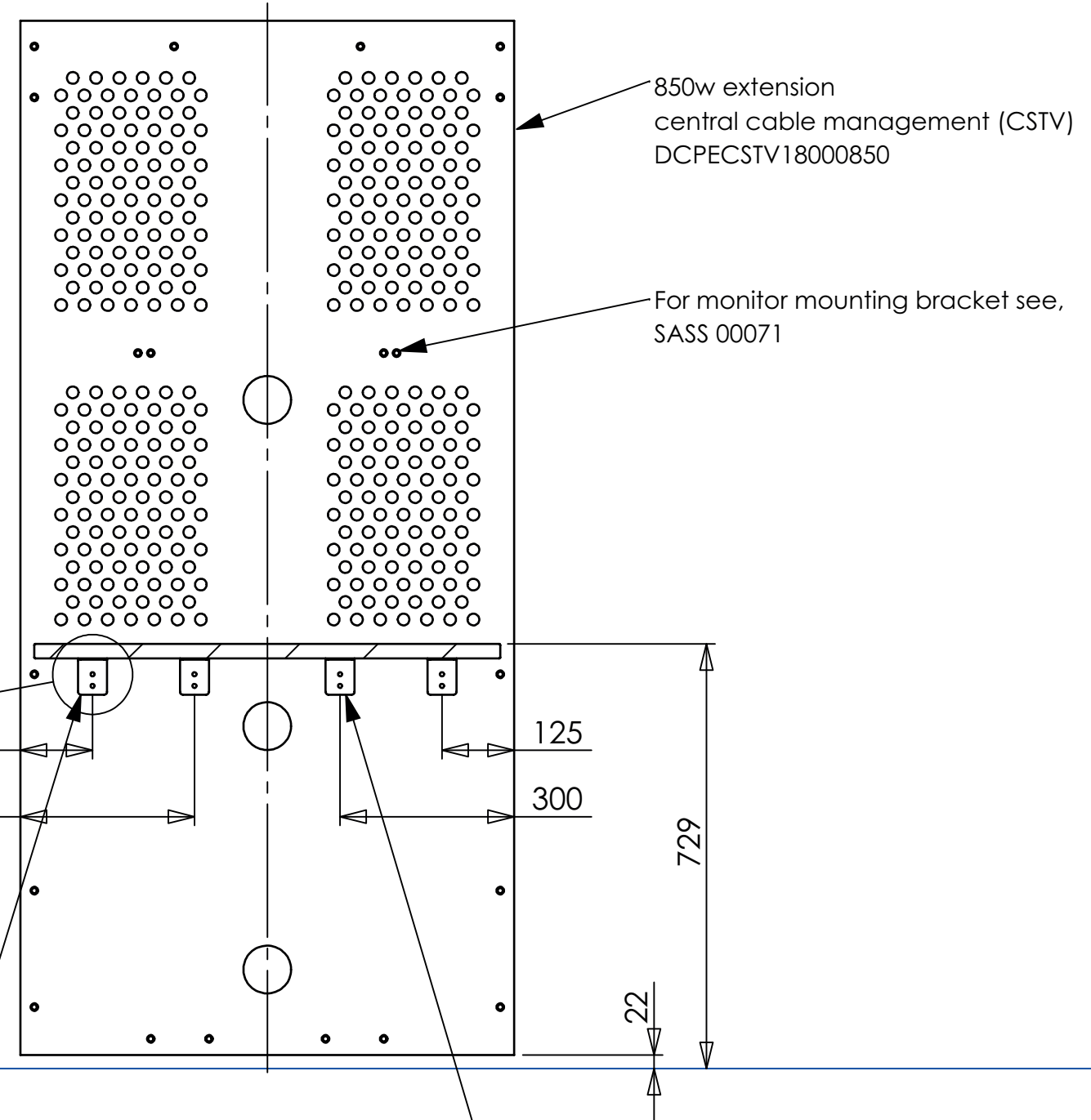
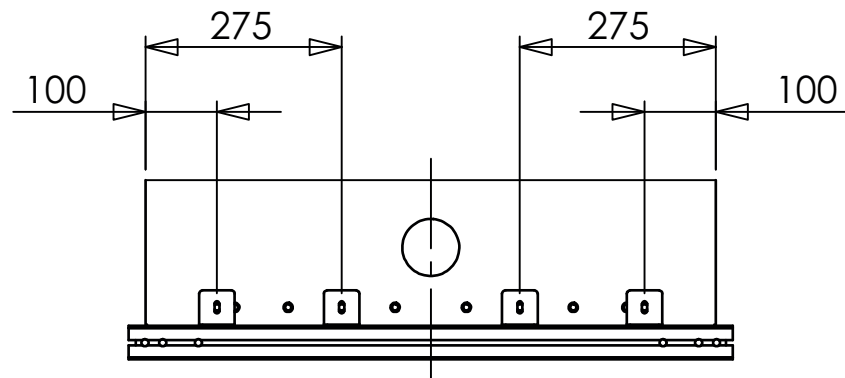
Fix inner brackets with M6x20 socket button heads to table top, & den panel

IMP; for assembly procedure please see the following instructions  
General assembly methodology - SASS 00315  
Den Stabiliser Foot - SASS 00238  
Monitor mounting bracket - SASS 00071  
Table base assembly - SASS 00318

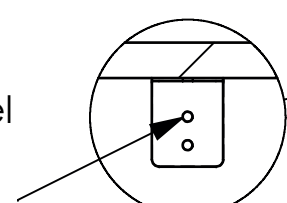


# EDO VP

Bracket positions on the top panel



Fix the brackets to panel using the upper holes in the bracket



Fix outer brackets with M6x20 socket button head to table top, & no'10 x 1.25 round head wood screw to den panel

Fix inner brackets with M6x20 socket button heads to table top, & den panel

