

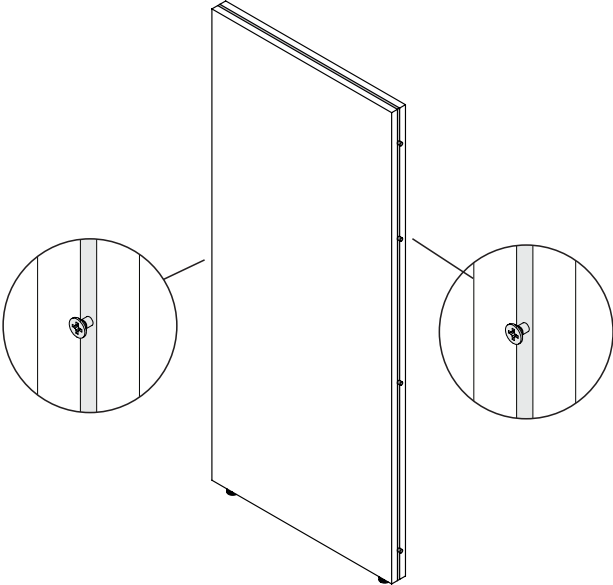


# **Den Panel Assembly Methodology**

**SASS - 00315revA**

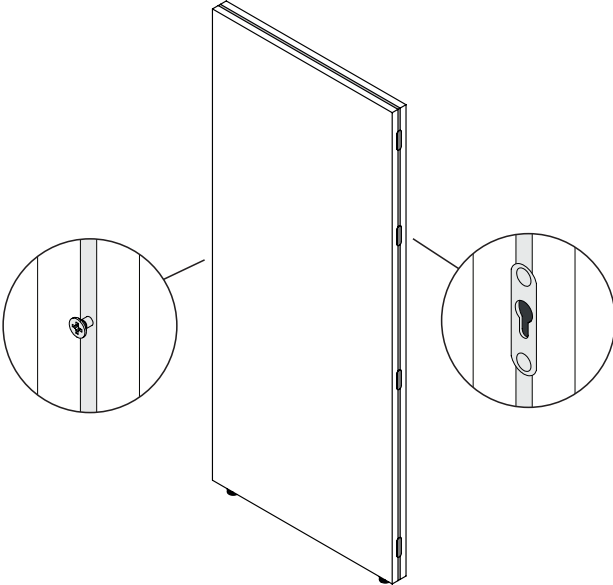
# Panel Identification

Back Panel



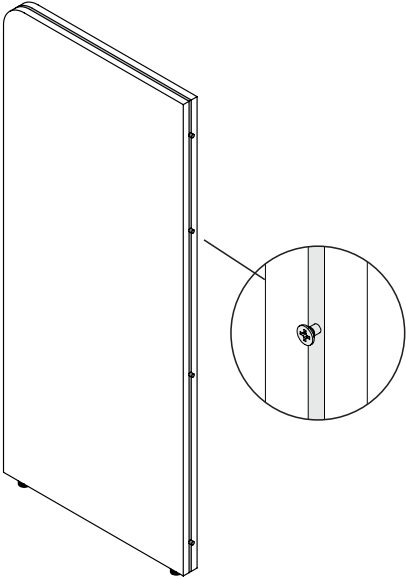
(screws both sides)

Extension Panel



(screws one side, keyholes one side)

Side Panel

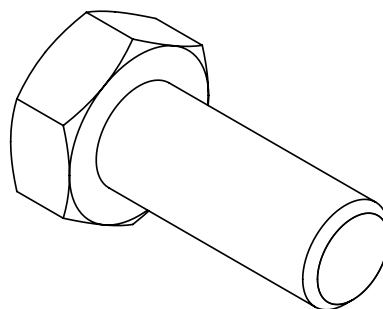
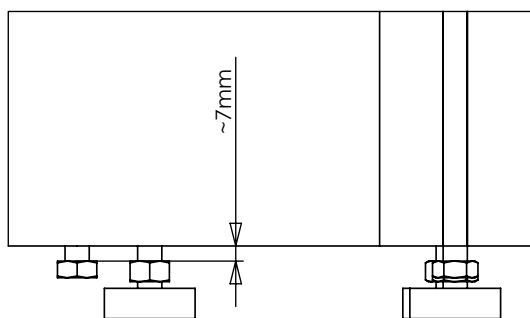
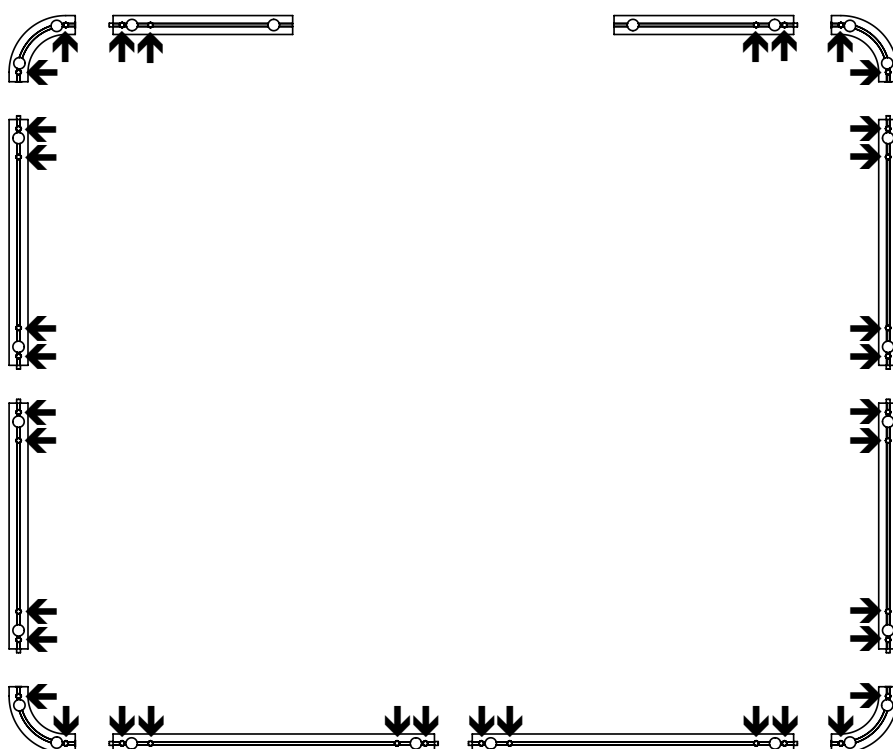


(screws one side, blank with corner rad one side)

# Important, before starting

BEFORE assembling the den shell, insert the M8 hexagonal bolts supplied into the M8 inserts in the bottom of all junctions, and the panels adjacent to where they joint to another panel or junction.

## Example Configuration

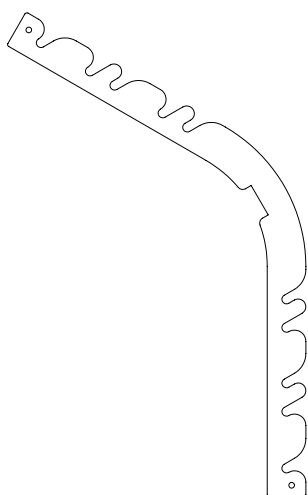


**M8 HEXAGONAL HEAD BOLT**

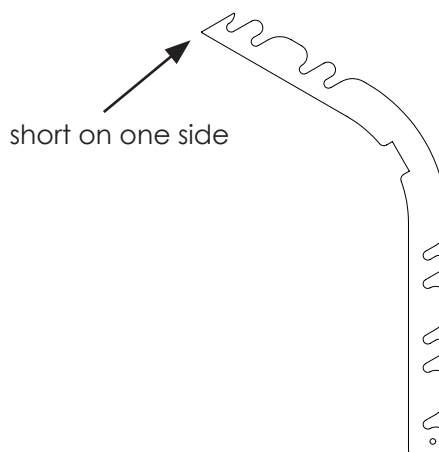
# Important, before starting

BEFORE assembling the den shell, ensure you have the correct bracing connectors for the configuration to be assembled (see the appropriate plan drawings, separately).

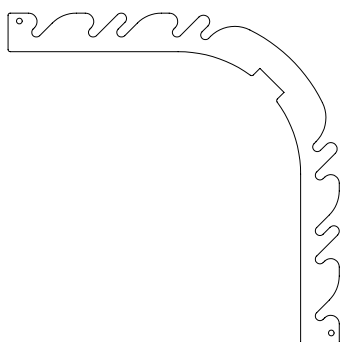
If you do not have these components, do not assemble the furniture and contact your supplier before proceeding



120° bracing connector  
**(DCJB12001)**



SS 120° bracing connector  
(short one side)  
**(SSDCJB12001)**



90° bracing connector  
**(DCJB09001)**

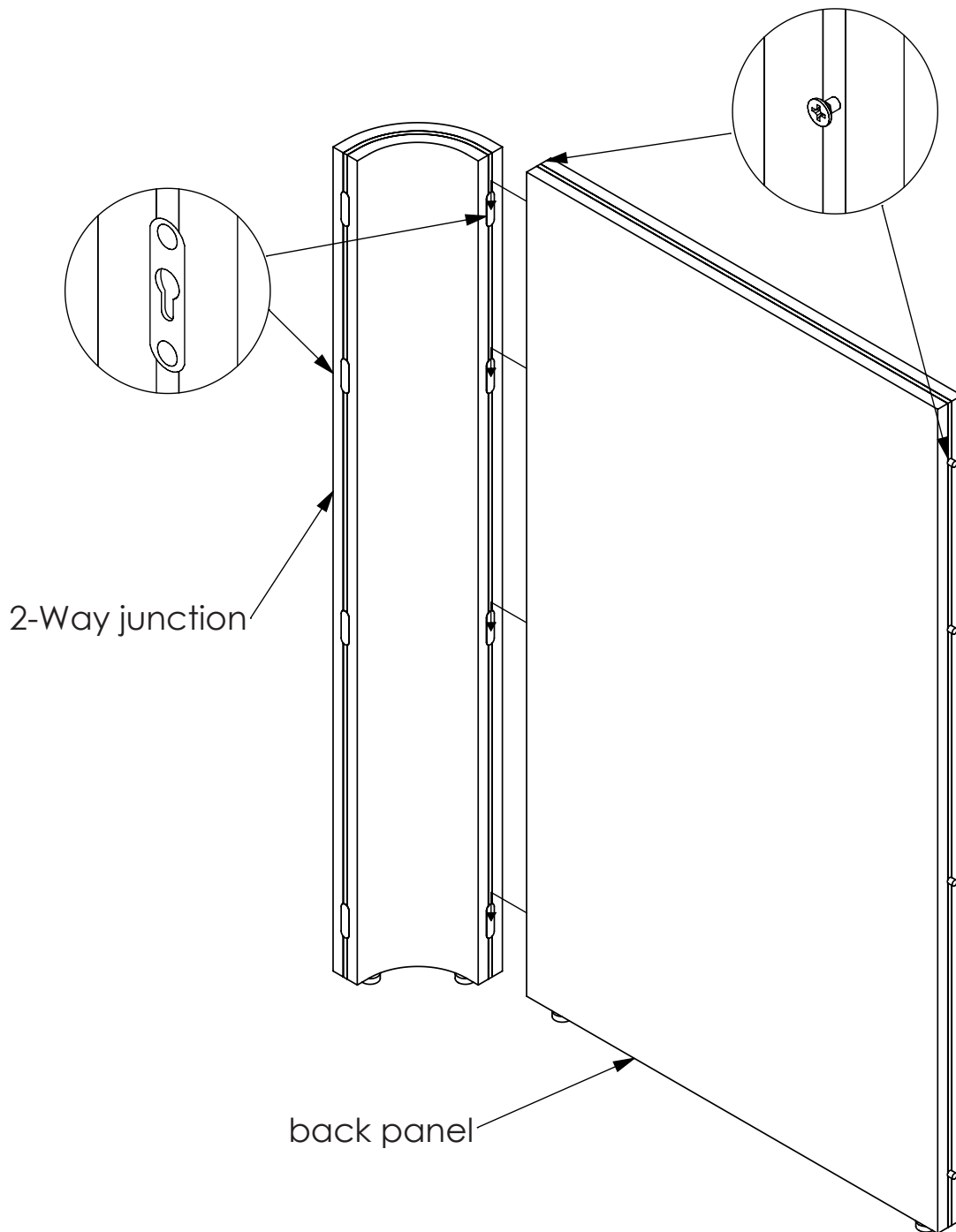


Straight bracing connector  
**(DCJB00101)**

# **Example Configuration**

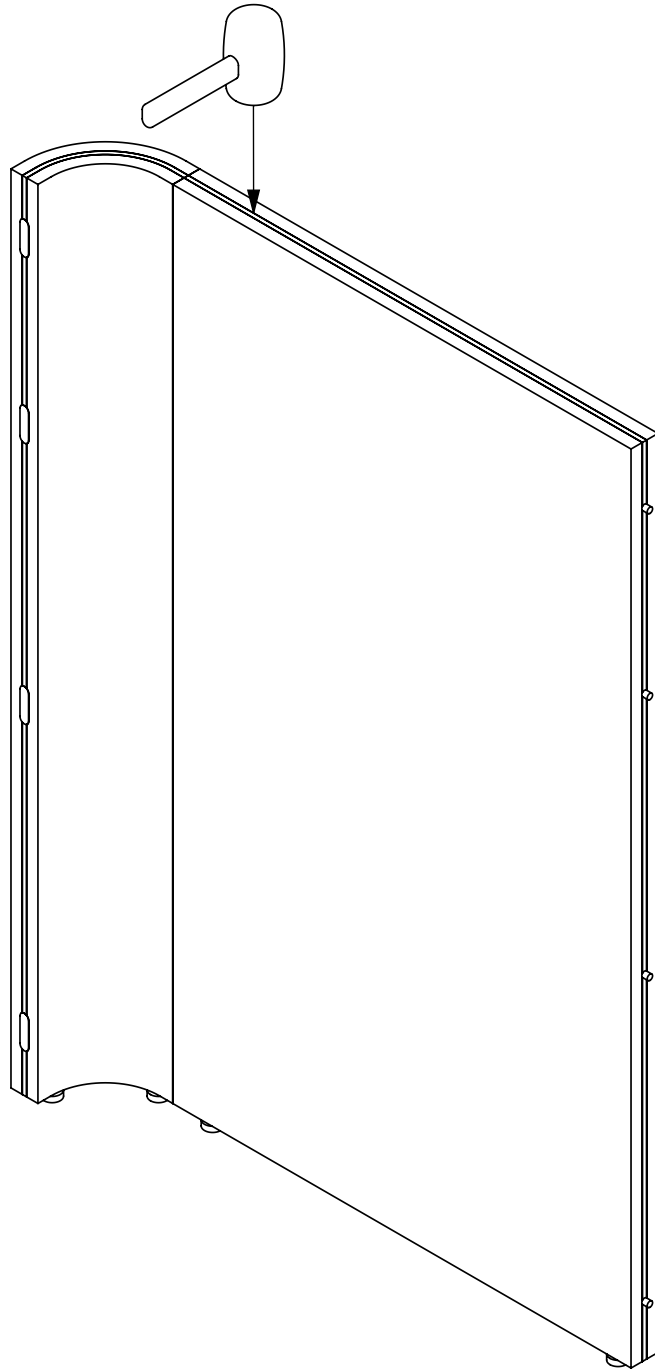
# 1

Insert the modular screws in the back panel into the keyholes in the 2-way junction, making sure that all the screws have engaged into the keyholes.



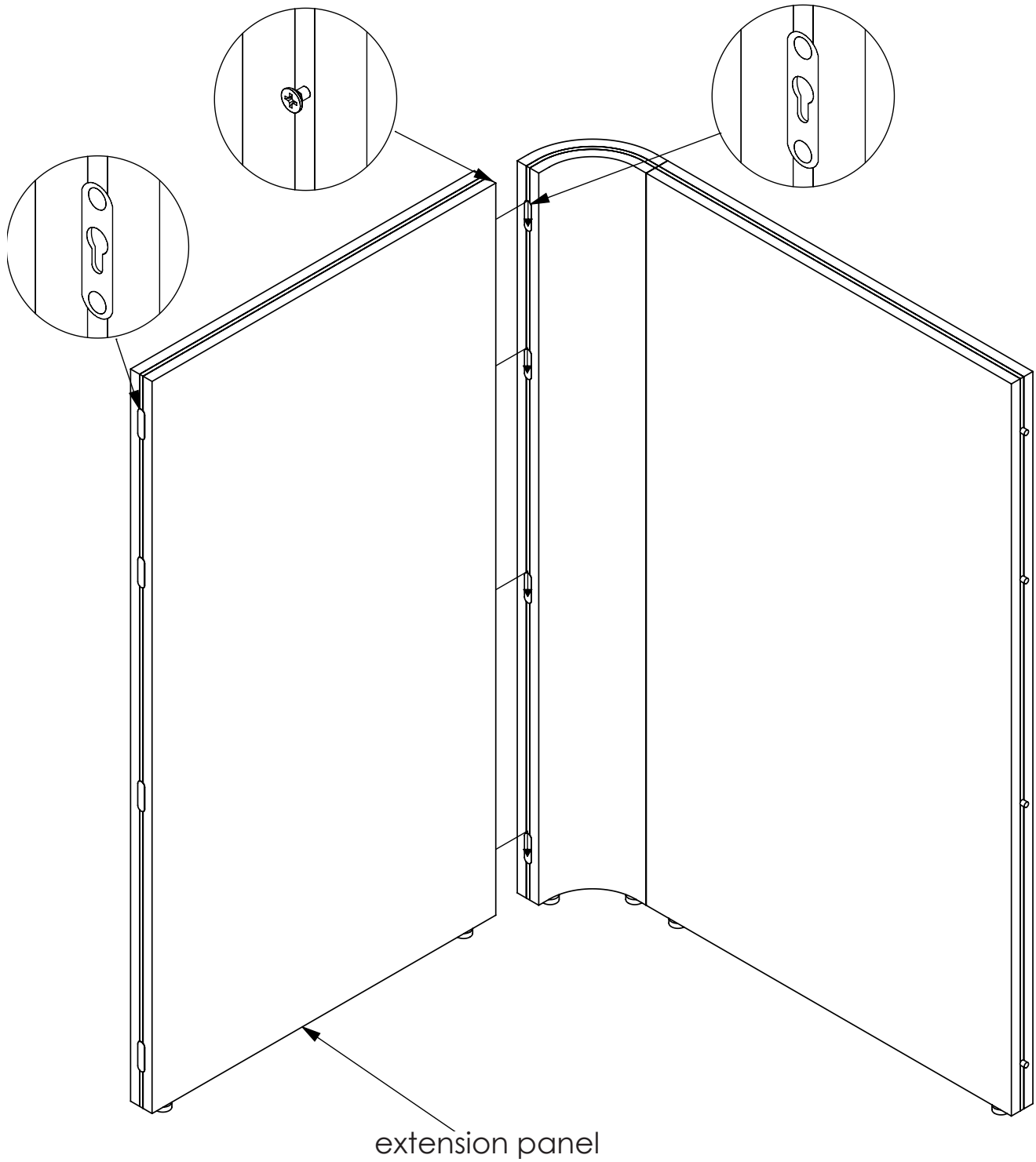
# 2

After making sure all of the screws are engaged in the keyholes, tap the top of the back panel with a cushioned mallet to fully engage.



# 3

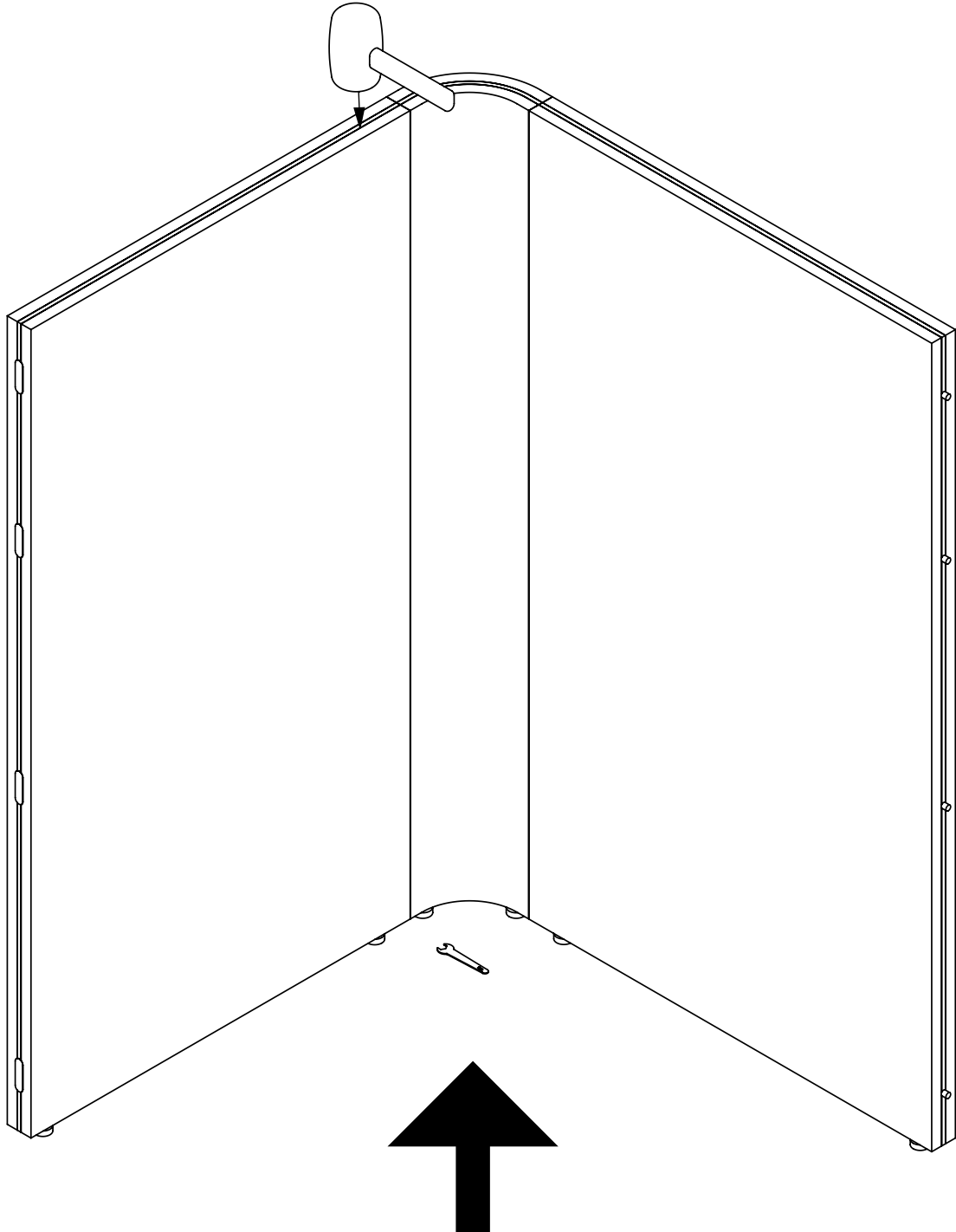
Attach the extension panel to the 2-way junction as shown. (see step 1 for method)





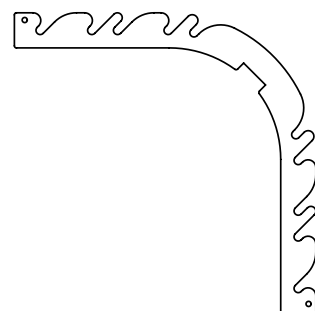
## 4-A

Tap the top of the extension panel with a cushioned mallet to fully engage as shown.

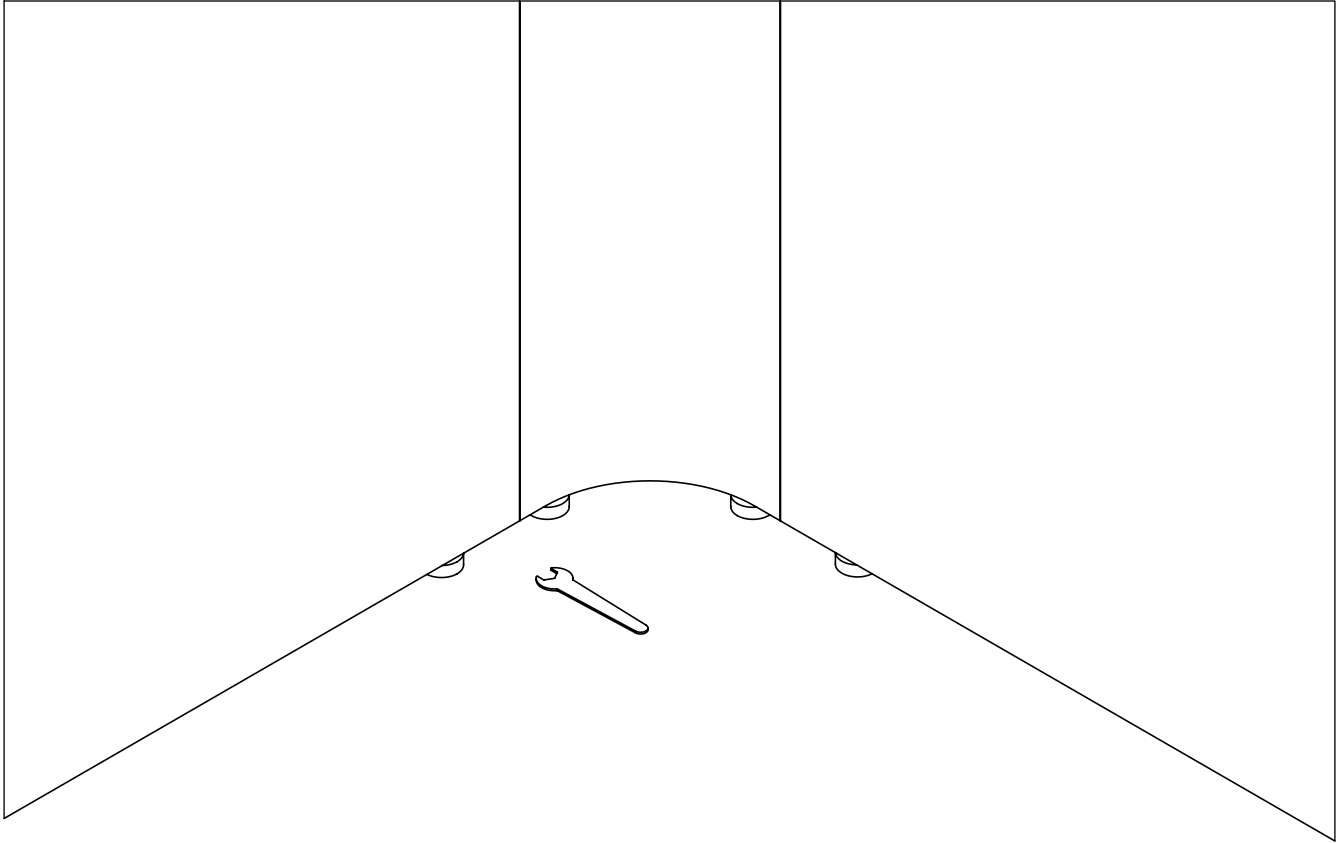


### **IMPORTANT**

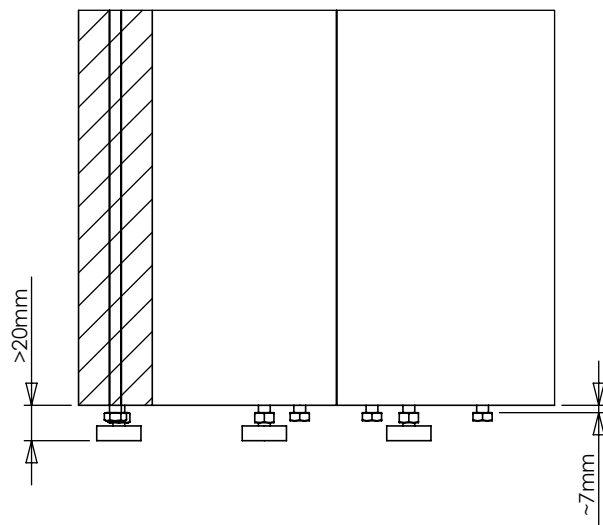
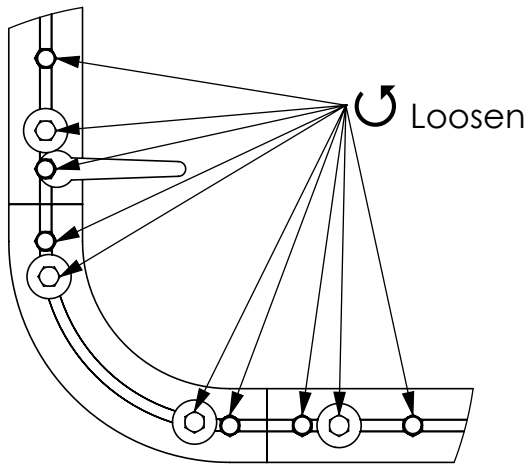
Follow Steps **4-B** to **4-E** to install **90° Bracing Connector** now.



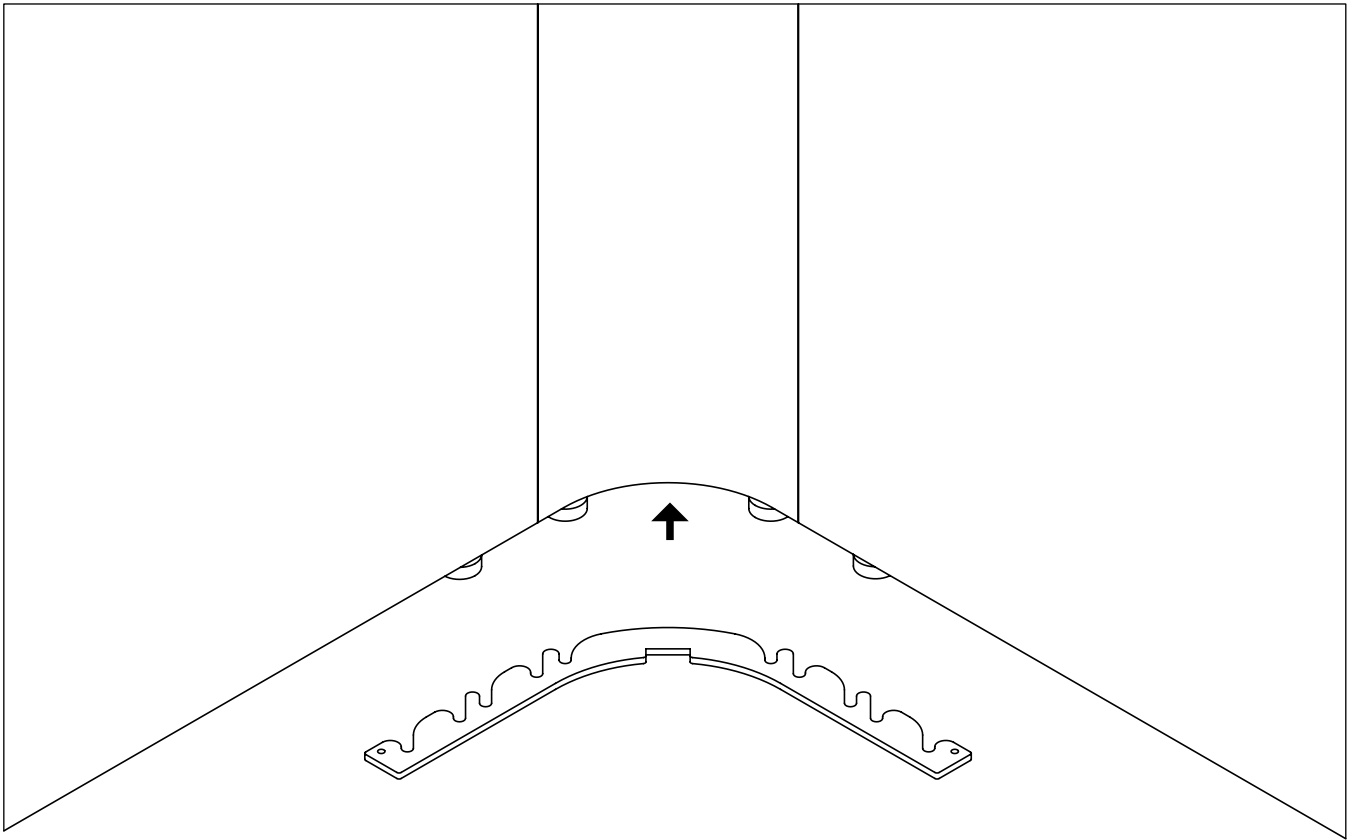
# 4-B



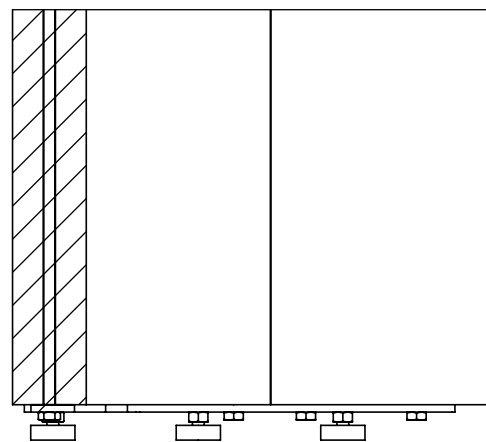
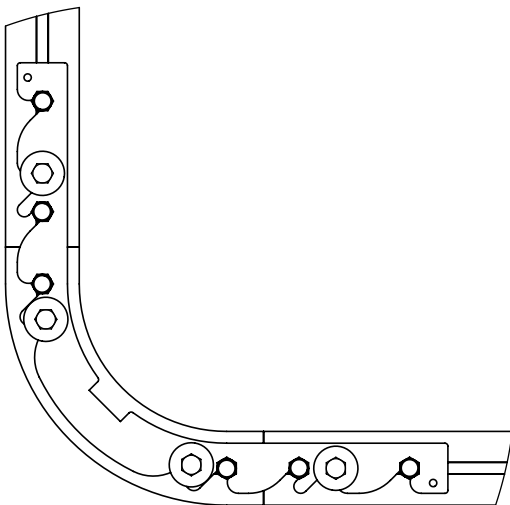
Loosen the indicated **M8 Hexagonal Bolts (L)** and M8 hexagonal nuts by approx 7mm using a 13mm Spanner



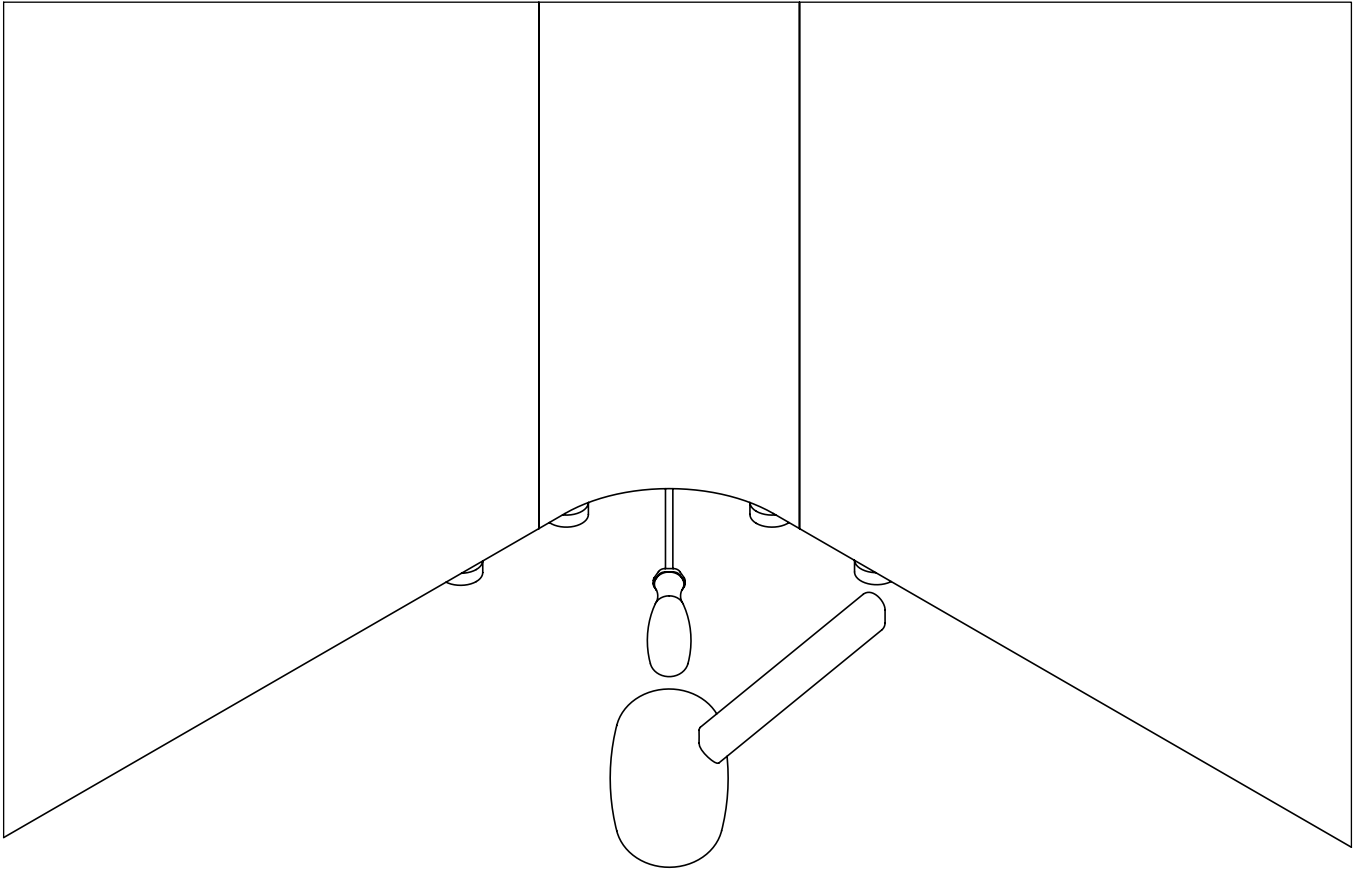
# 4-C



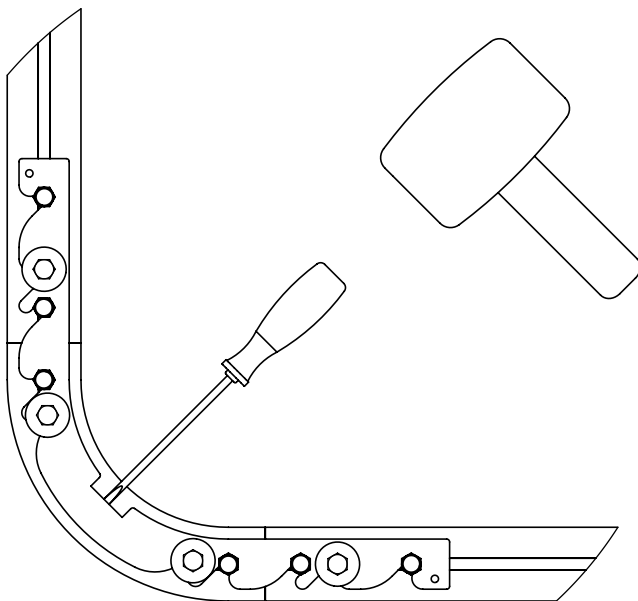
Attach **90° Bracing Connector (J)** over **M8 Hexagonal Bolts (L)** and leveller feet



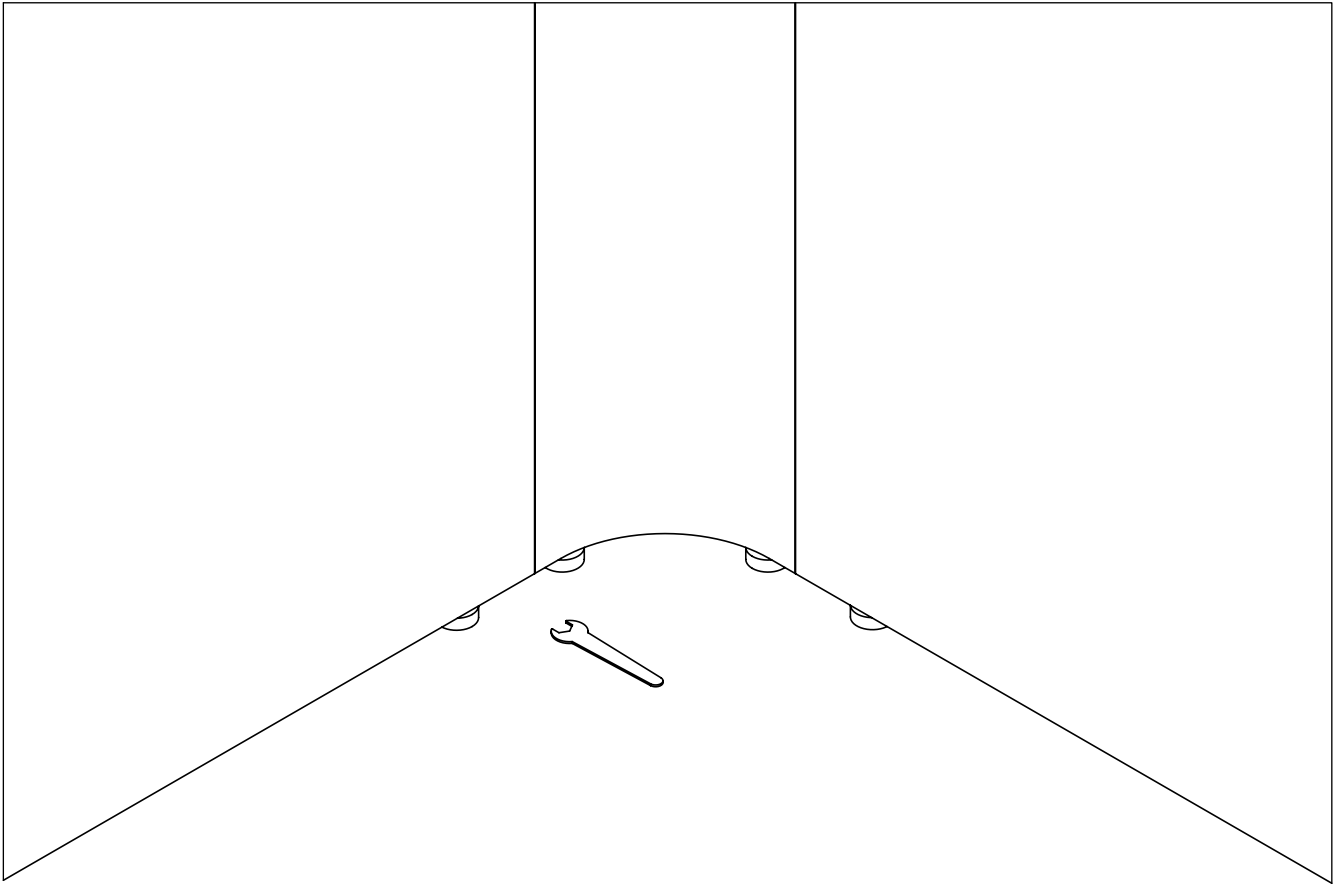
# 4-D



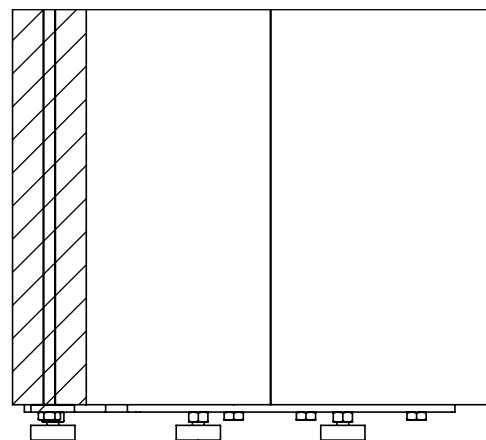
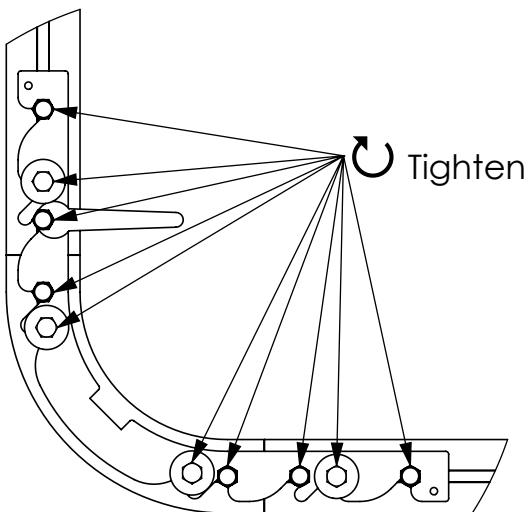
Using a Flat Head Screwdriver and Cushioned Mallet, ensure connector is fully seated



# 4-E

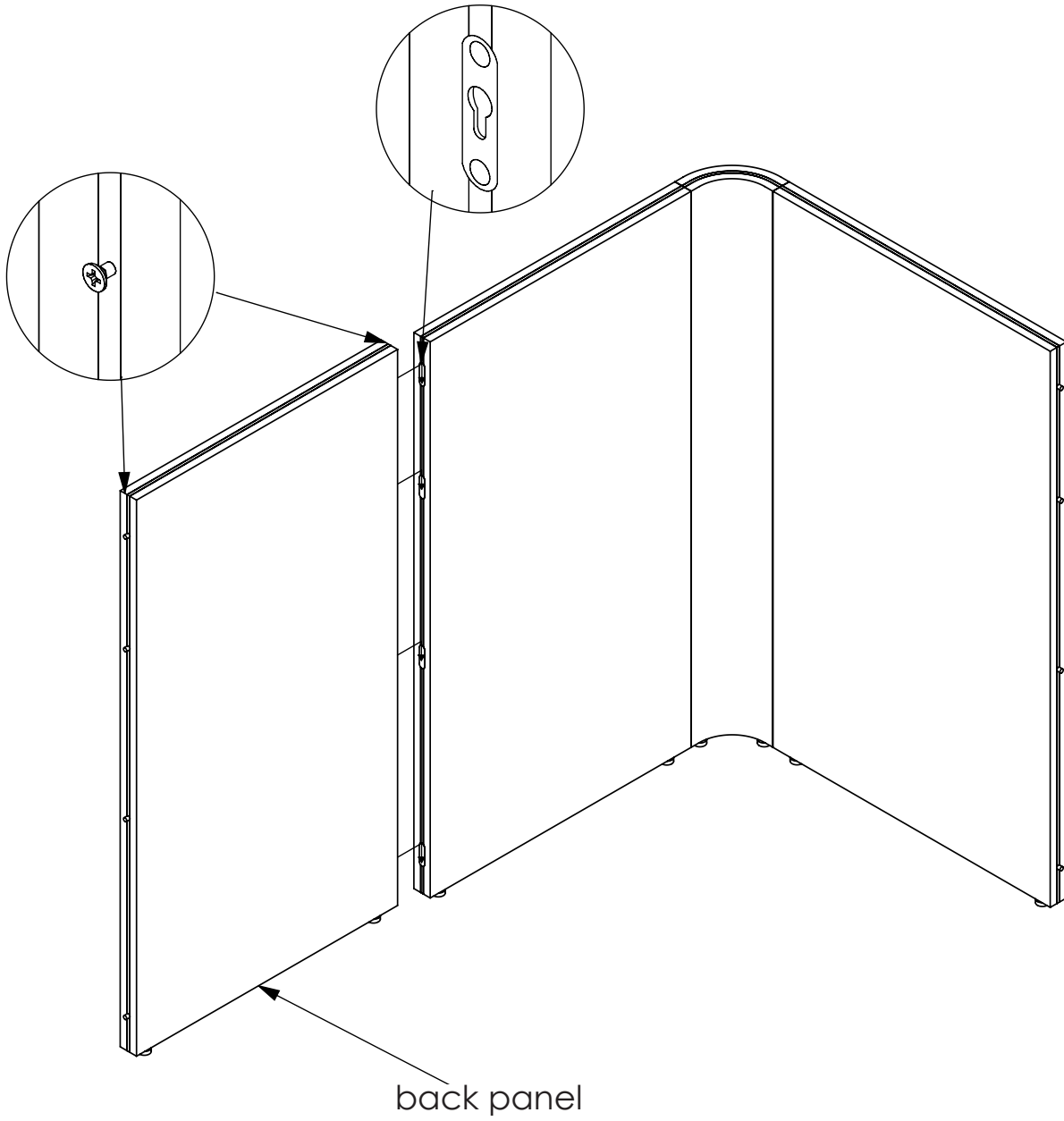


Tighten the **M8 Hexagonal Bolts (L)** and M8 hexagonal nuts using a 13mm Spanner to secure the connector



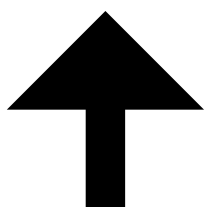
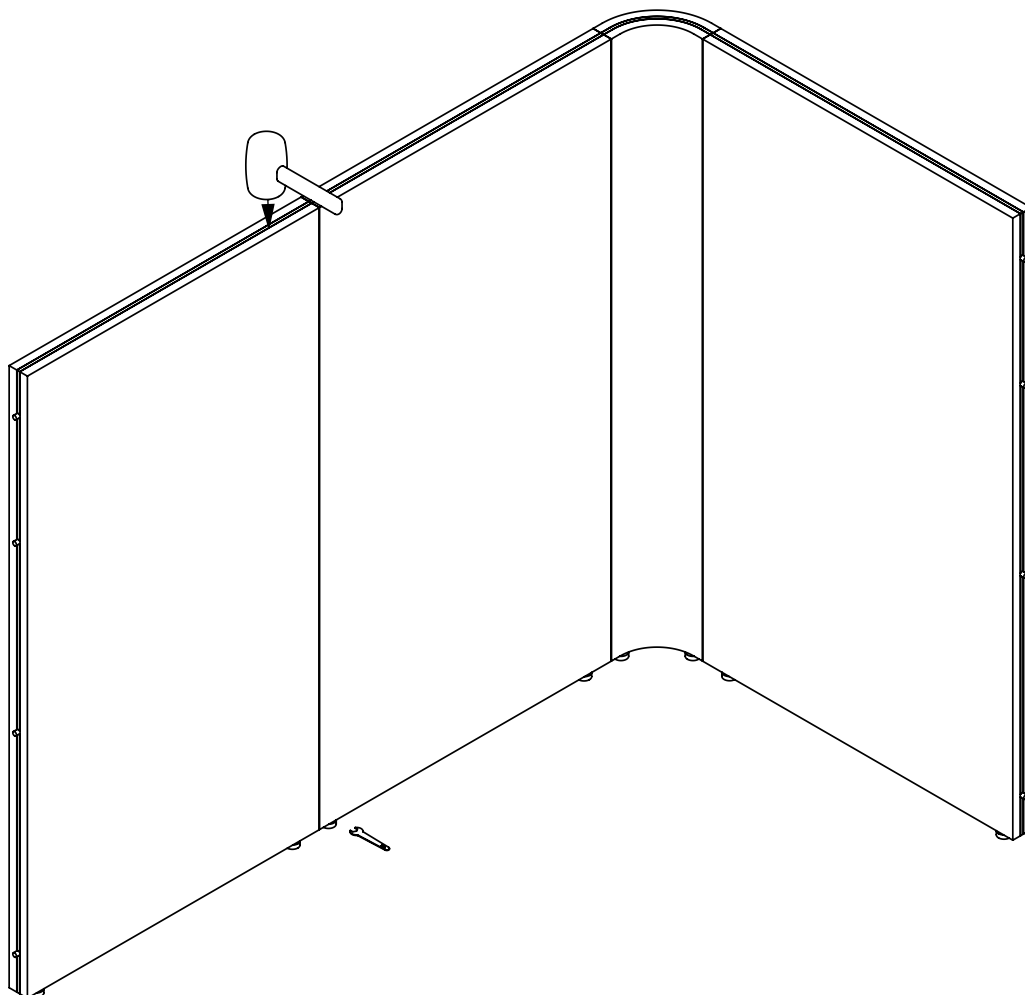
# 5

Attach the back panel to the extension panel as shown.  
(see step 1 for method)



## 6-A

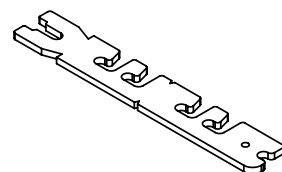
Tap the top of the back panel with a cushioned mallet to fully engage as shown.



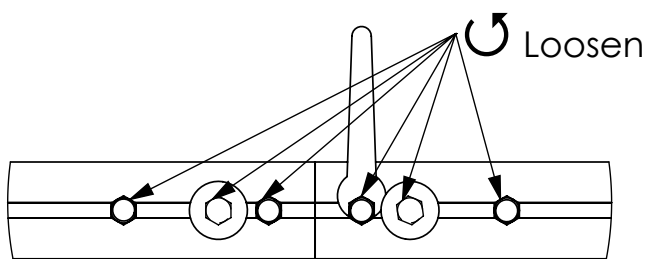
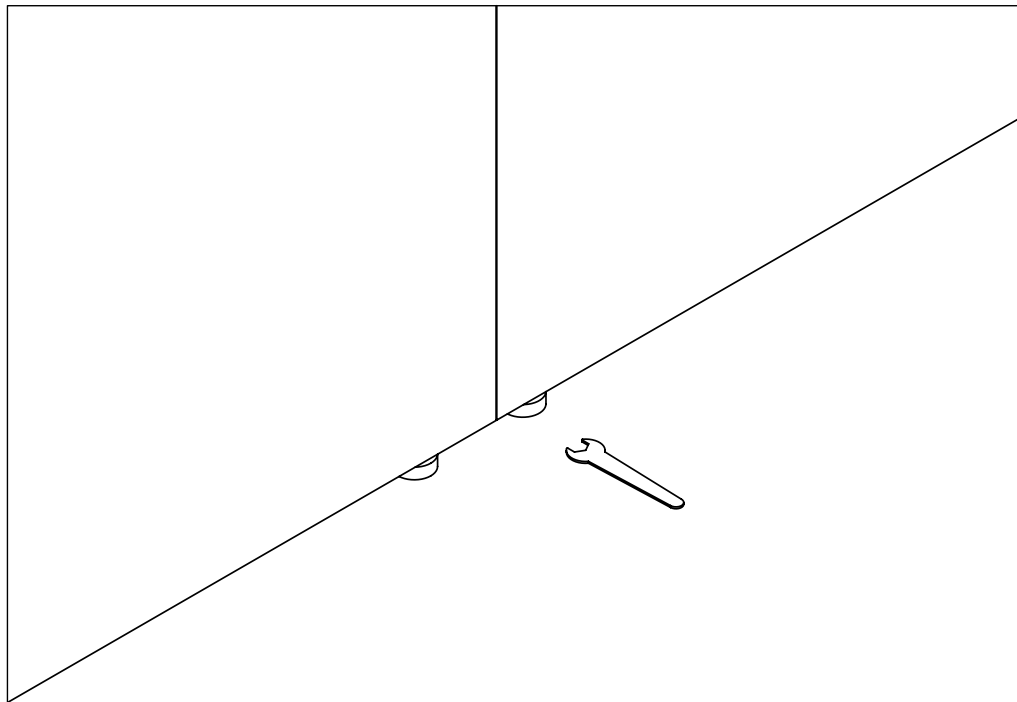
---

## IMPORTANT

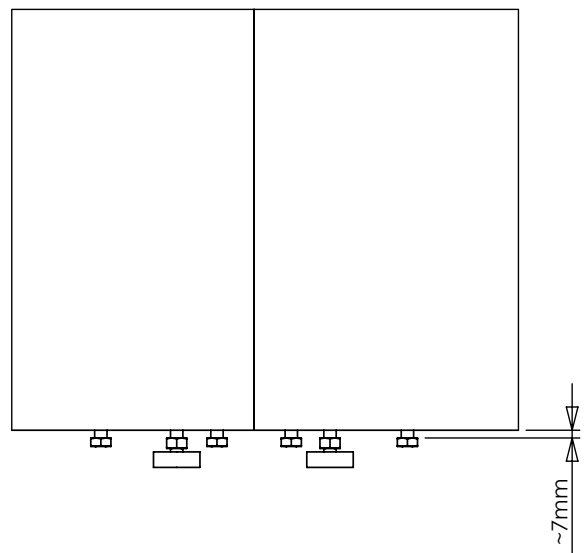
Follow Steps **6-B** to **6-G** to install **Straight Bracing Connector** now.



# 6-B

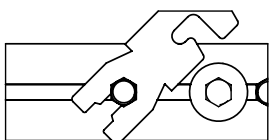
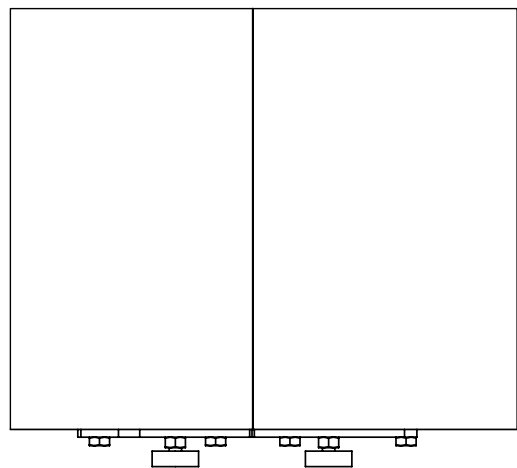
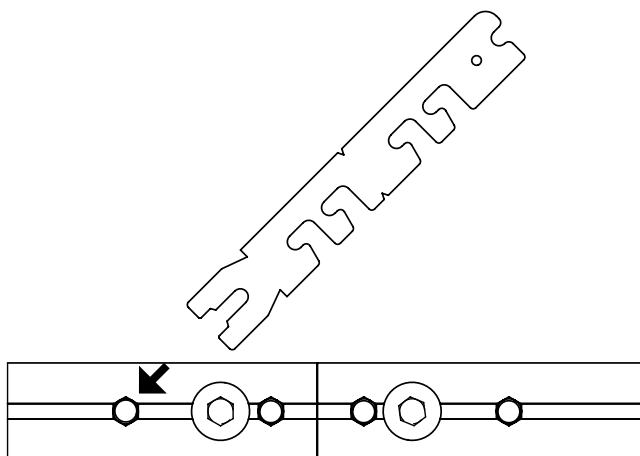
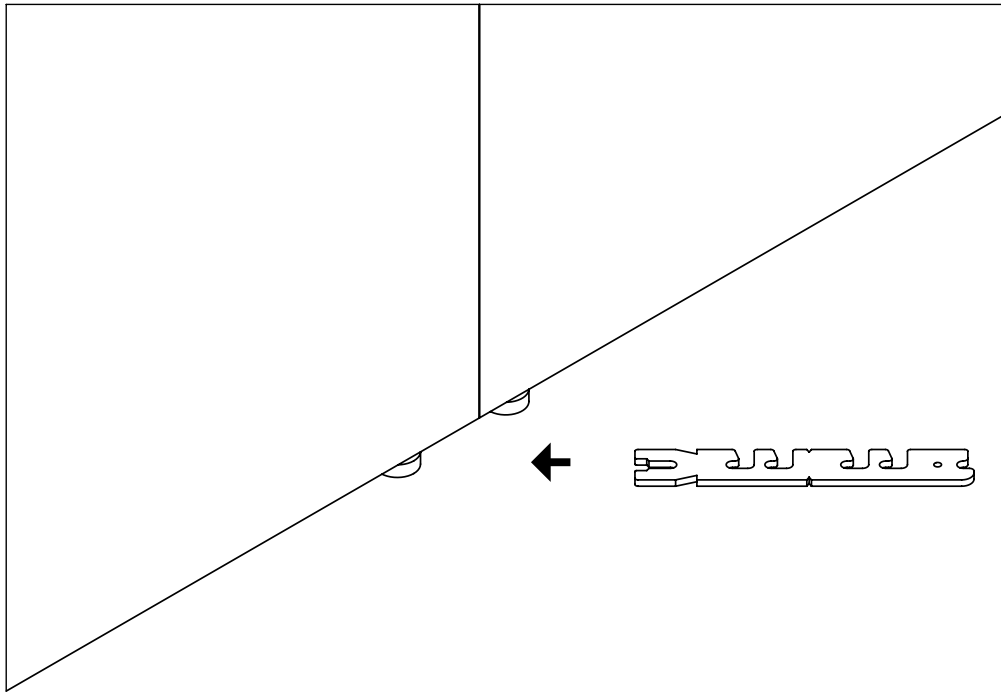


Loosen the indicated **M8 Hexagonal Bolts (L)** and M8 hexagonal nuts by approx 7mm



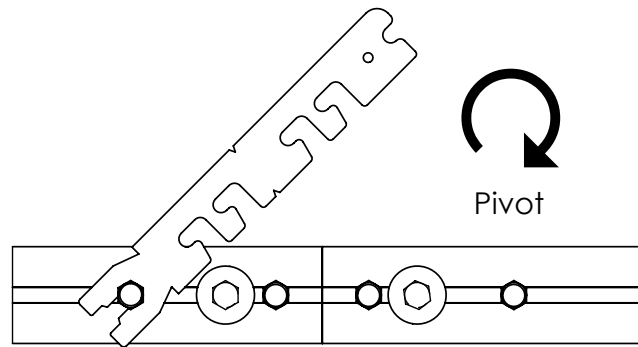


# 6-C

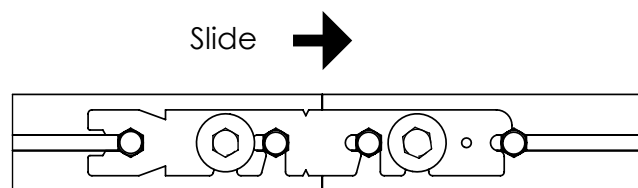


Attach **Straight Bracing Connector (K)**  
over **M8 Hexagonal Bolt (L)** indicated

# 6-D

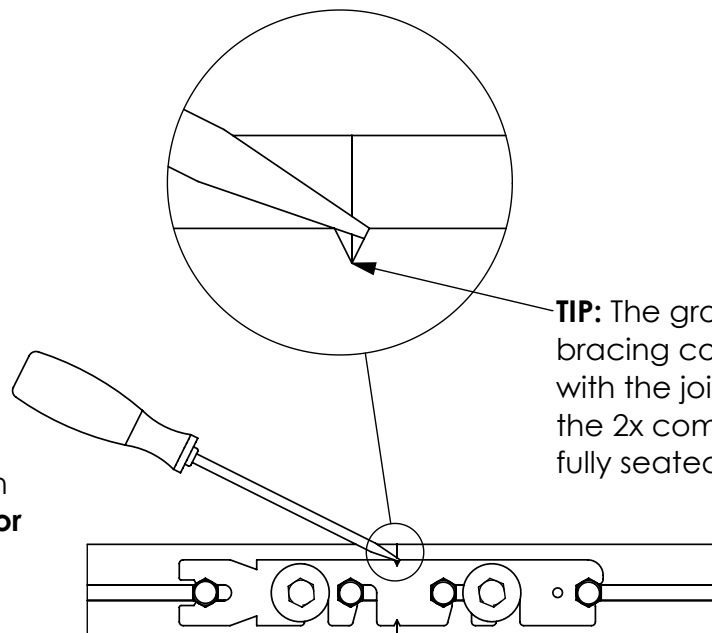


# 6-E



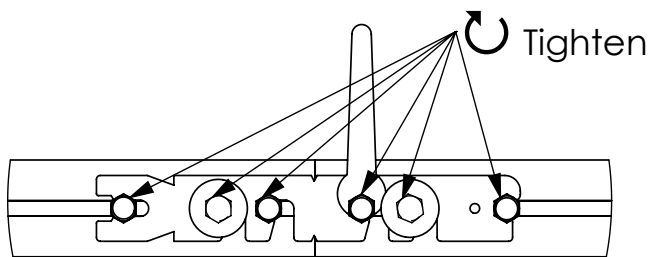
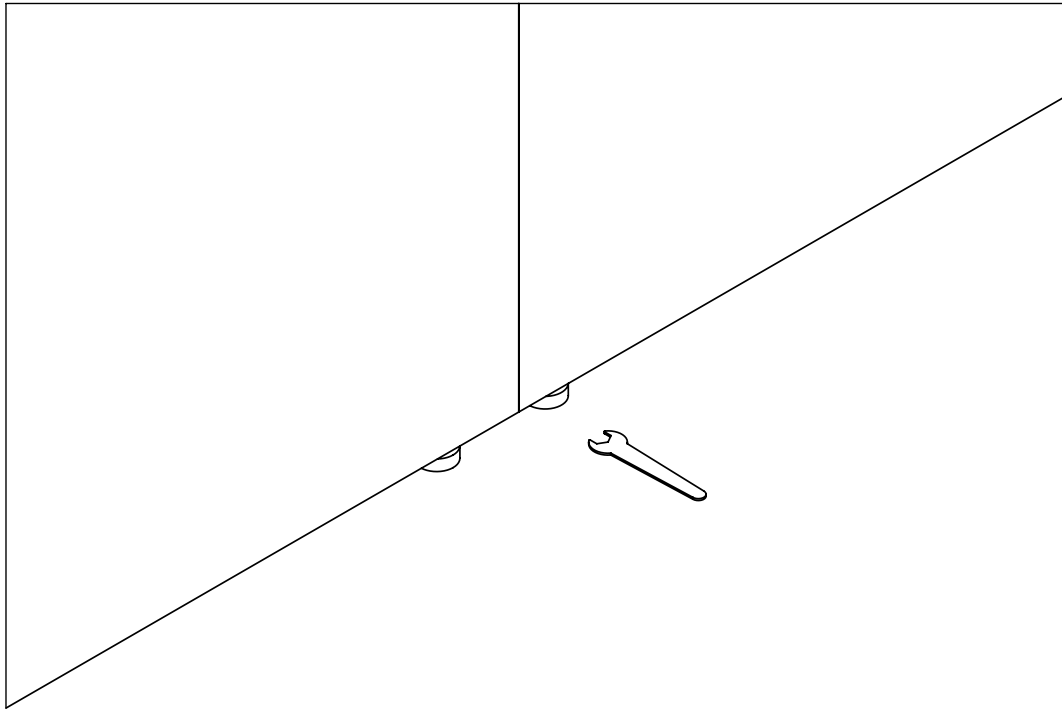
# 6-F

Locate the tip of a Flat Head Screwdriver into the groove in the **Straight Bracing Connector (K)** indicated and tap with a Cushioned Mallet to ensure bracket is fully seated.

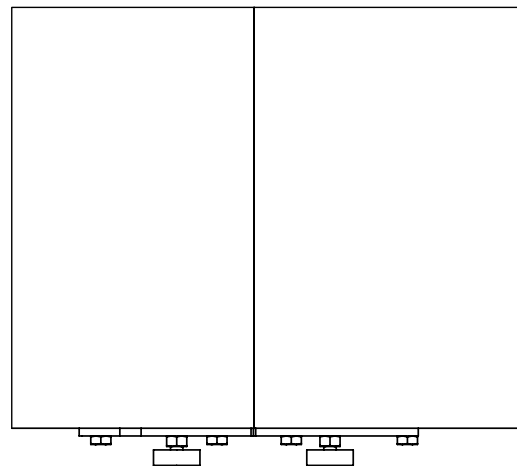


**TIP:** The groove in the bracing connector lines up with the joint line between the 2x components, when fully seated.

# 6-G

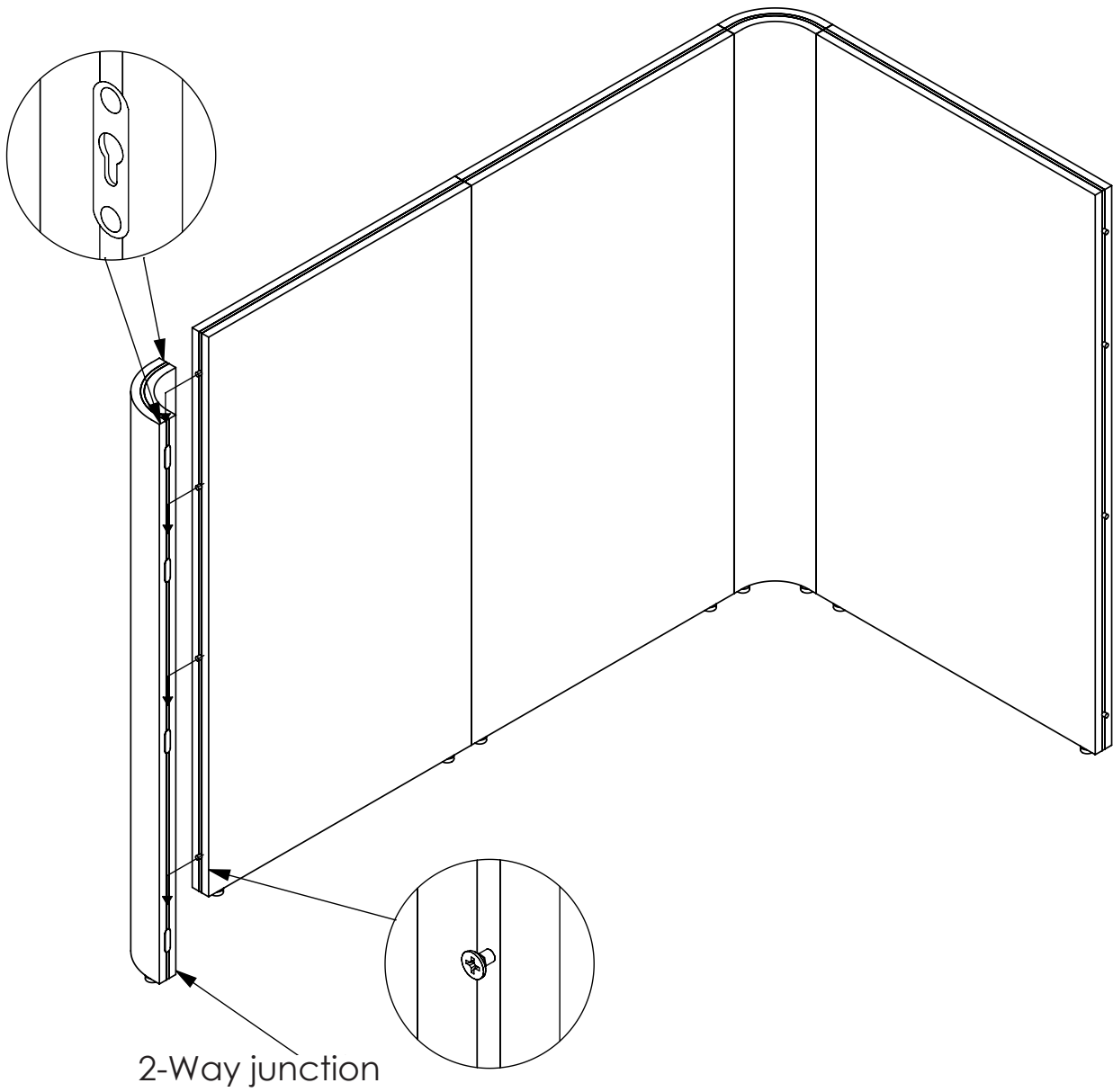


Tighten the **M8 Hexagonal Bolts (L)** and M8 hexagonal nuts using a 13mm Spanner to secure the connector



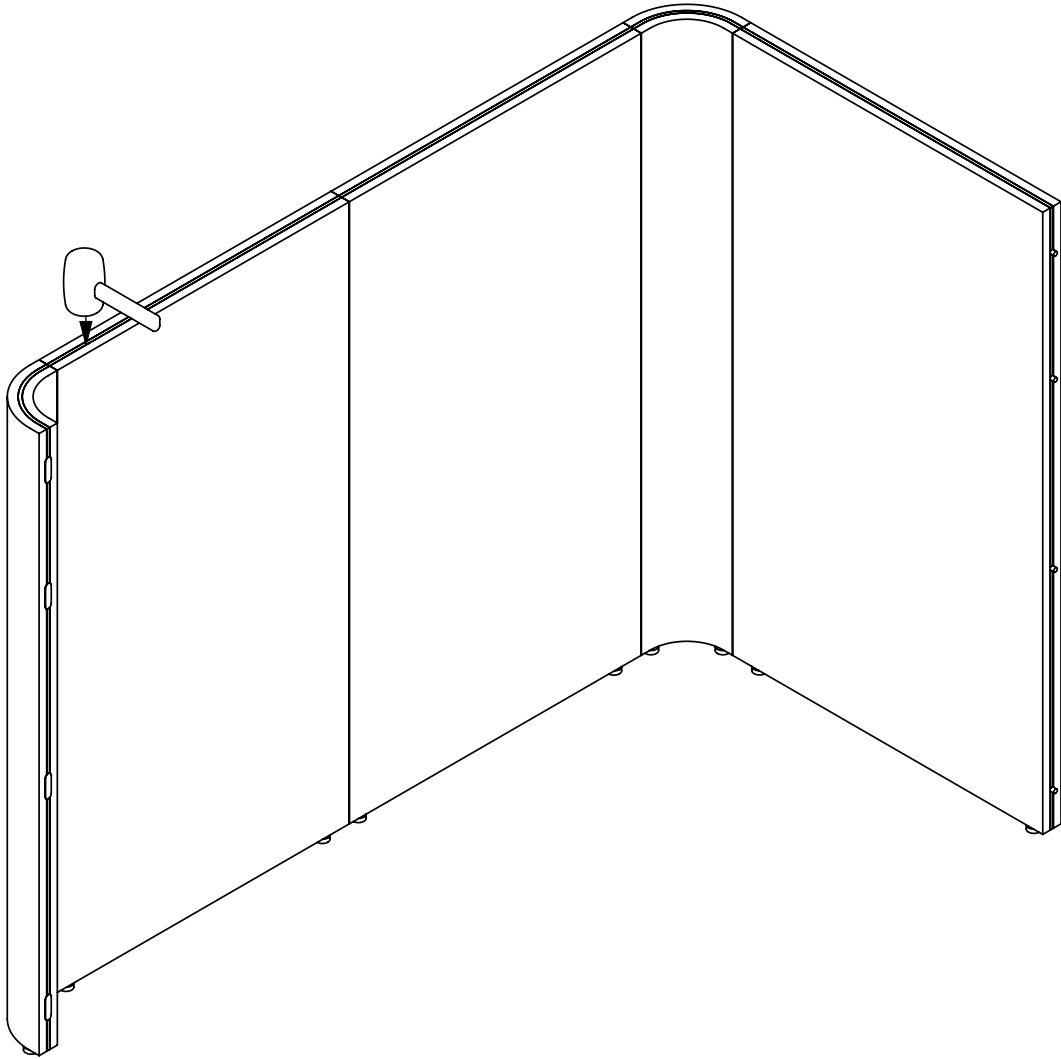
# 7

Attach the back panel to the 2-way junction as shown. (See step 1 for method)



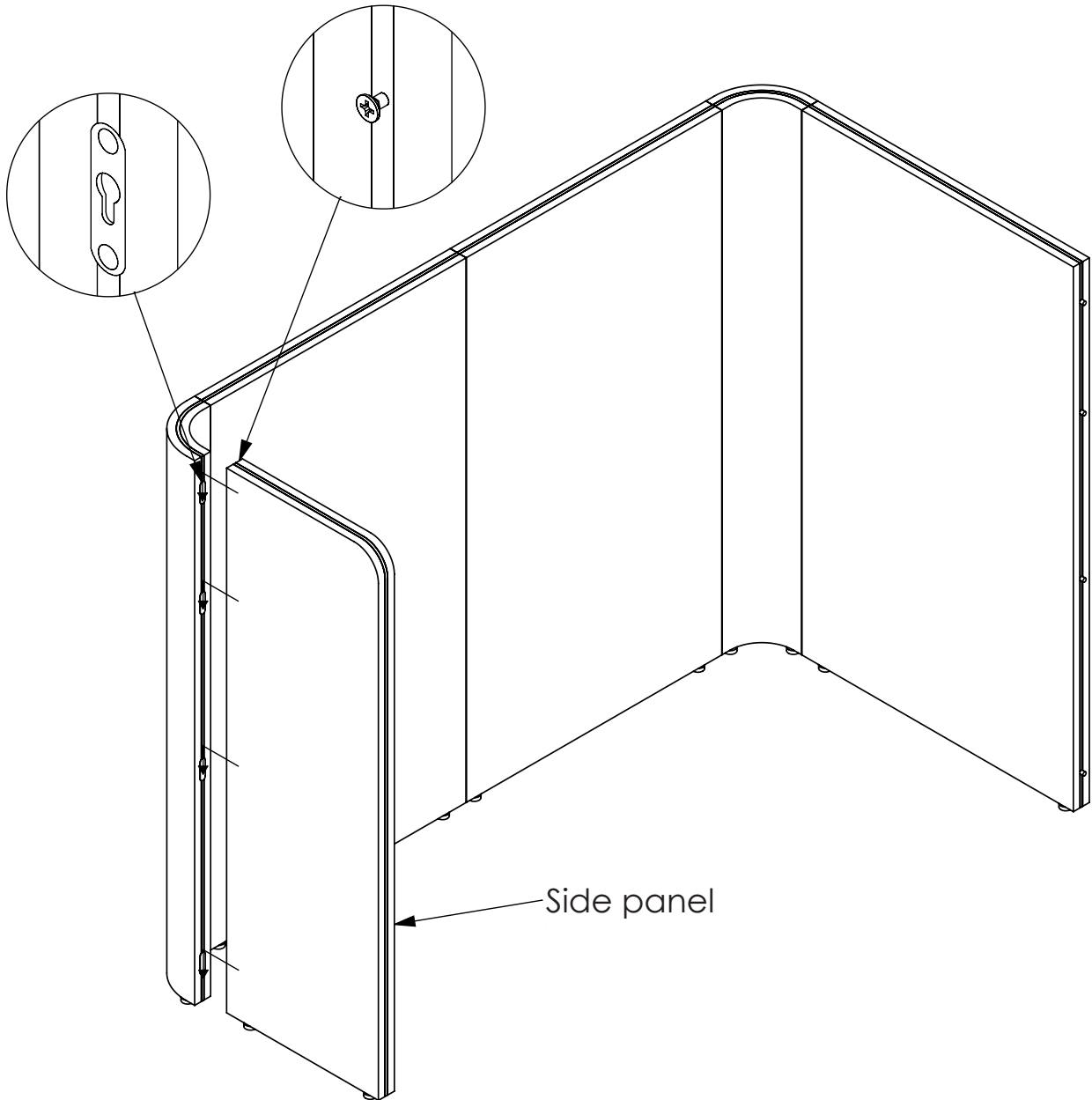
# 8

Tap the top of the back panel with a cushioned mallet to fully engage as shown.



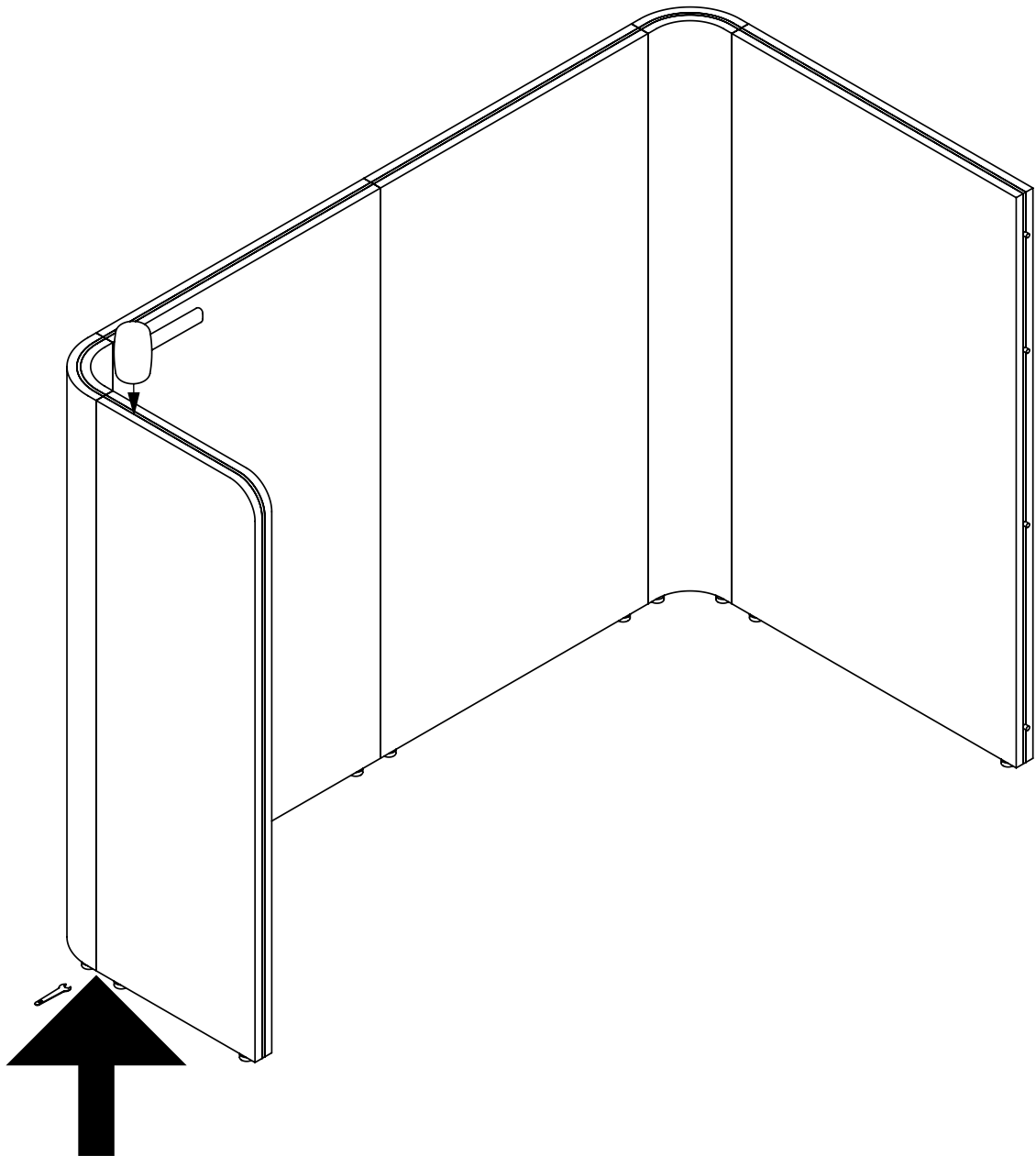
9

Attach side panel to the 2-way junction as shown. (see step 1 for method)



# 10

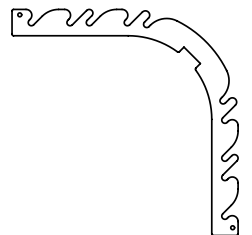
Tap the top of the side panel with a cushioned mallet to fully engage as shown.



---

## IMPORTANT

Follow Steps **4-B** to **4-E** to install **90° Bracing Connector** now.



---

Repeat steps until the whole configuration is complete